

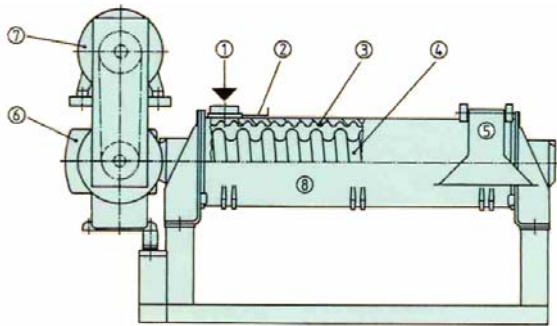


Husker/Polisher for Parchment Coffee SKP- 4

The Husker is designed for husking and polishing the parchment coffee very gentle at a low temperature level.

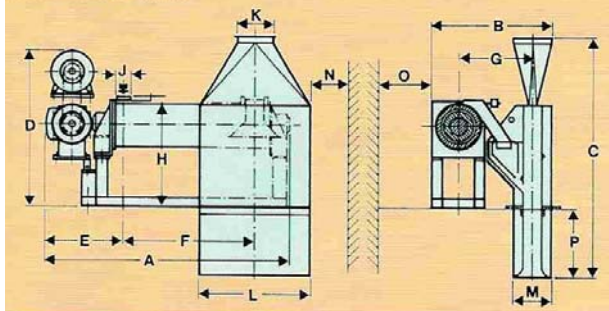
The material enters the Machine through the inlet where the throughput rate is controlled by means of a slide gate.

The coffee beans are caught by the spiral windings of the rotor towards the outlet. During conveying, intensive husking and polishing takes place. The polishing degree is controlled at the weight loaded retarding gate. The husks are separated from polished coffee beans in the directly attached aspiration channel.



1. Material Inlet
2. Slide Gate for throughput control
3. Housing
4. Cast iron rotor
5. Outlet with retarding gate
6. Direct couplet gearbox
7. Drivemotor with V-belt drive
8. Lower housing half, hinged for cleaning and maintenance

Technical data



Advantages

- Application as husker and polisher
- Gentle husking
- Low rate of breakage
- Low heating of coffee
- Special cast roll and jacket
- Rugged cast support frame
- Efficient husk separation in high-capacity air classifier

Model	Dimensions in mm															Drive power kW	Capa city t/h	Weight in kg			Volume Of sea- Worthy Packing In m ³
	A	B	C	D	E	F	G	H	øJ	øK	L	M	N	O	P			net	gross	by sea	
SKP-4	2650	1280	2600	1735	848	1425	800	1772	150	400	1200	400	600	1000	745	55	4-5	2700	3000	3200	7

Copyright © - The right to alterations is reserved

