

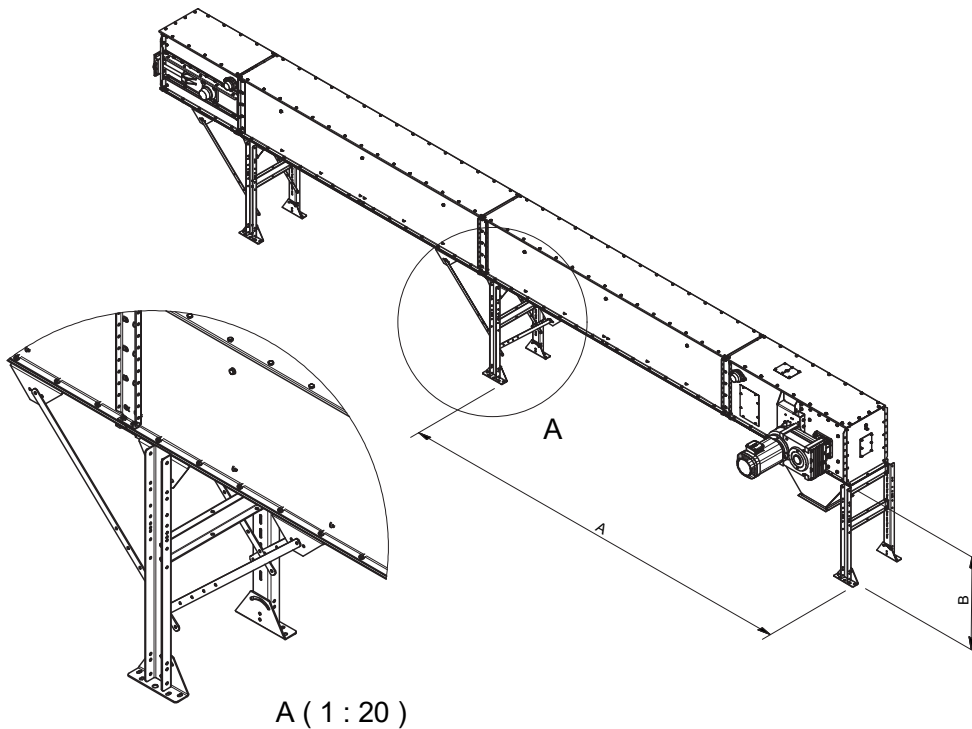
# CHAIN CONVEYOR SUPPORT SYSTEM



## GENERAL

Brand Cimbria  
Model Support system chain conveyor

Supporting legs for Cimbria chain conveyors are manufactured from galvanized plate.  
Supporting legs can also be used as suspend (RM-10, RM-12).



	RL / RS-3 [mm]	RL / RS-5 [mm]	RL / RS-7 [mm]	RL / RS-8 [mm]
A - Max. distance between legs	6 000	6 000	6 000	6 000
B - Length of legs	145-2 000	145-2 000	145-2 000	145-2 000

	RM-10 [mm]	RM-12 [mm]	RM-14 [mm]	RM-16 [mm]
A - Max. distance between legs	4 000	4 000	4 000	4 000
B - Length of legs	145-2 000	145-2 000	145-2 000	145-2 000

	RA-5 [mm]	RA-8 [mm]	RA-10 [mm]	RA-12 [mm]
A - Max. distance between legs	6 000	6 000	4 000	4 000
B - Length of legs	145-2 000	145-2 000	145-2 000	145-2 000

	RW-30 [mm]			
A - Max. distance between legs	7 000			
B - Length of legs	145-2 000			