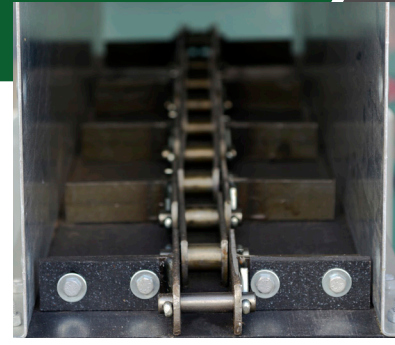


# CONVEYOR CHAIN



## GENERAL

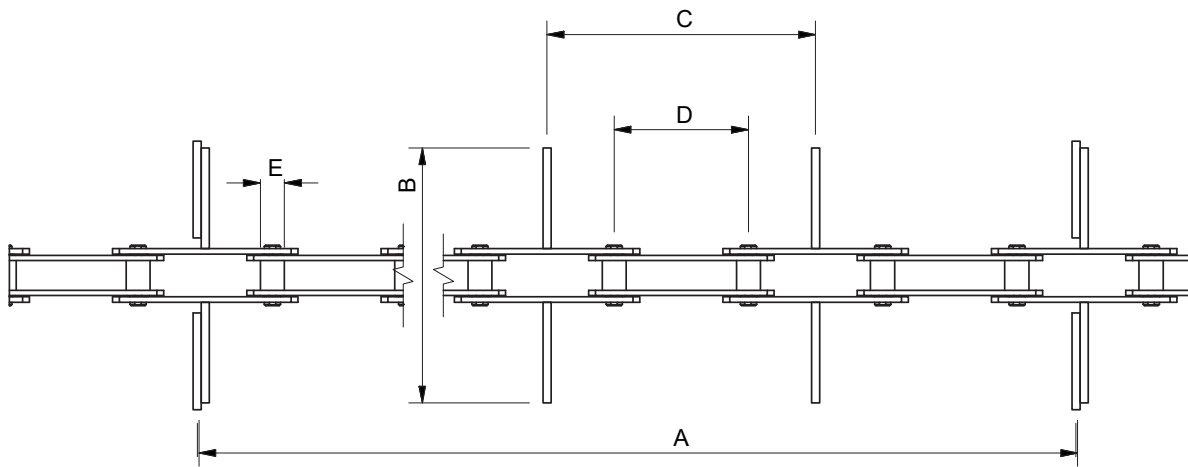
Brand Cimbria  
Model Conveyor Chain

Cimbria Single- or double strand conveyor chain is assembled with pins-and-bushes.  
Return buckets (RL, RM).

Basic scraper flaps bolted into the chain flights (RL, RM, RS, RA).

Chamfered scraper flaps: Frequently change of materials that have a low tolerance to mixing.

## Dimensional sketch for conveyor chain (RL, RM, RA, RS, RW)



## Dimensional for conveyor chain

Item number	Type of conveyor	A [mm]	B [mm]	C [mm]	D [mm]	E	Strength [kN]	Weight [kg/m]	Standard
RK318	RL-3	2 000	190	200	100	ø18	50	4.5	C64
RK322						ø22	115	7.2	Custom
RK522						ø22	115	7.5	Custom
RK722	RL-7	2 000	265	250	125	ø22	115	7.0	Custom
RK725						ø25	160	13.0	M160
RK822	RL-8	2 000	315	250	125	ø22	115	7.3	Custom
RK825						ø25	160	13.5	M160
RK830						ø30	224	15.0	M224
RK1025	RM-10	1 500	372	250	125	ø25	160	14.5	M160
RK1030				320	160	ø30	224	16.5	M224
RK1036				320	160	ø36	315	22.0	M315
RK1042				400	200	ø42	450	27.0	M450
RK1230	RM-12	1 600	472	320	160	ø30	224	17.0	M224
RK1236				320	160	ø36	315	25.2	M315
RK1242				400	200	ø42	450	28.5	M450
RK1430	RM-14	1 600	615	320	160	ø30	224	19.0	M224
RK1436				320	160	ø36	315	25.2	M315
RK1442				400	200	ø42	450	31.0	M450
RK1630	RM-16	1 600	785	320	160	ø30	224	21.0	M224
RK1636				320	160	ø36	315	27.0	M315
RK1642				400	200	ø42	450	33.0	M450

# CONVEYOR CHAIN

## Dimensional for conveyor chain

Item number	Type of conveyor	A [mm]	B [mm]	C [mm]	D [mm]	E	Strength [kN]	Weight [kg/m]	Standard
RAK822	RA-5	250	227	250	125	ø22	115		Custom
RAK822	RA-8	250	227	250	125	ø22	115		Custom
RAK1030	RA-10	320	360	320	160	ø30	224		M224
RAK1030	RA-12	320	360	320	160	ø30	224		M224
RK3184	RS-3	400	190	200	100	ø18	50 115	4.5 7.2	C64 Custom
RK5223	RS-5	400	240	200	100	ø22	115	7.5	Custom
RK7222	RS-7	500	265	250	125	ø22	115	7.0	Custom
RK7253						ø25	160	13.0	M160
RK8223	RS-8	500	315	250	125	ø22	115	7.3	Custom
RK8253						ø25	160	13.5	M160
RKT318	RW-30	400	190	400	100	ø18	50	4.5	C64