

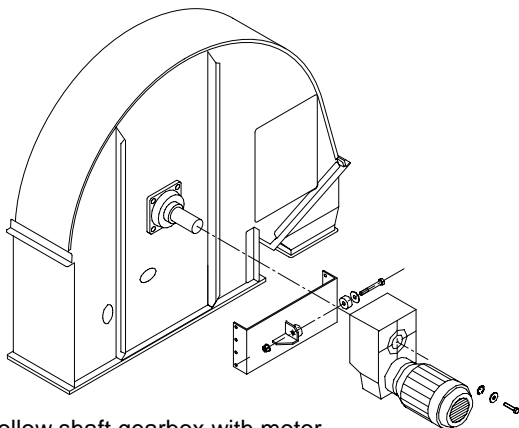
# Data Sheet 37.1

## Bucket Elevator: EC5, EC6 & EC8 Drive arrangement and Belt



The elevator top is of bolted construction and is complete with a heavy duty main drive shaft mounted on industrial quality ball bearings.

The elevator is supplied with a hollow shaft gearbox with built in backstop. The hollow shaft gearbox is held by a strong bracket with rubber shock absorbers to absorb operational movements.



Hollow shaft gearbox with motor bracket

Inside the top a plate guides the grain to the outlet. Outlet spout with horizontal connection to Q-flange. Top pulley has lamellas and is rounded to ensure max. friction and a straight running belt.

Elevator	rpm*	belt speed m/sec.	EU bucket* m <sup>3</sup> /h
EC5	124	1.85	18
EC6	110	2.10	36
EC8	95	2.50	70

\*Capacity is calculated with max. number of buckets (filling 3° above horizontal). In practice the belt speed will vary from nominal.

Rough calculation of effect:	$\frac{\text{Cap. MT/h} \times (\text{Height in meters} + 10)}{300}$	= kW
------------------------------	--	------

### Elevator Belt:

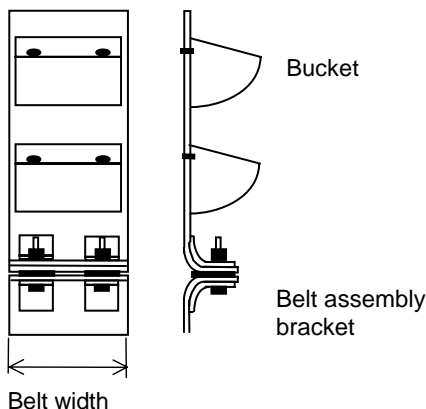
Cimbria standard elevator belts are designed for grain and grinding materials with temperatures from -30°C to +80°C and are delivered in the below mentioned strengths.

Cimbria belts are also available with a special rubber cover sheet which is resistant to mineral- vegetable- and animal oils and fats. Oil resistant belts can be used for transport of materials with temperatures from -10°C to +100°C.

The belts are anti static according to ISO284 and DIN 22104.

The belts can be used with surrounding temperatures between -30°C and +50°C.

Elevator belts are delivered with pre drilled holes for the specified buckets.



Strength	EP 500/4	EP 630/5	EP 800/5
Breaking tension	500 N/mm	630 N/mm	800 N/mm
Maximal load tension (12:1 Security factor)	40 N/mm	50 N/mm	63 N/mm

Type	Belt width
EC5	125
EC6	150
EC8	200

Copyright © - The right to alterations is reserved