

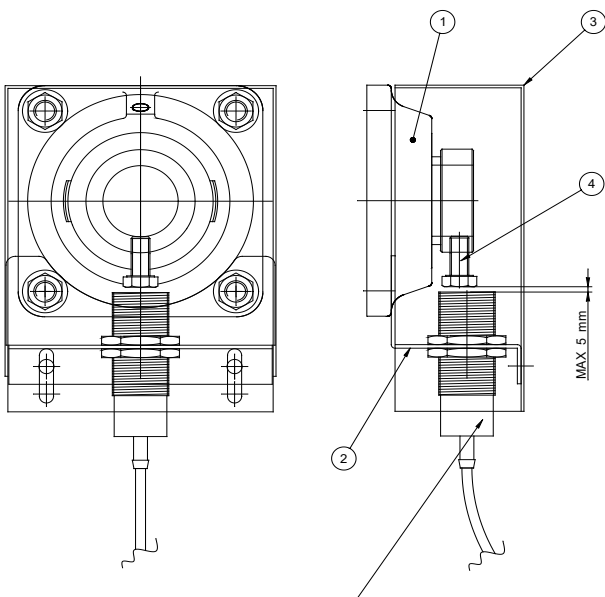
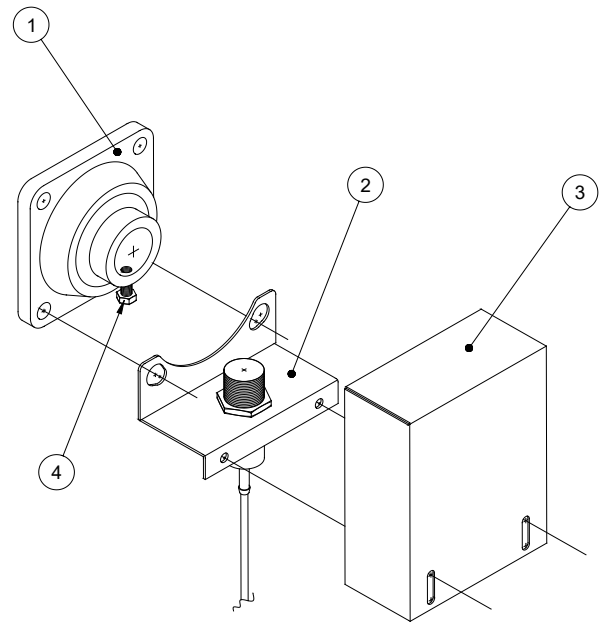
# ELECTRONIC SPEED GUARD

The electronic speed guard type PH30 from CIMBRIA is delivered with a mounting bracket suitable for various bearing sizes or with a bracket for mounting on bucket elevator and chain conveyors.

The advantages of our electronic speed guard are that it can be used in an area from 20 to 250 volt AC/DC and that it "counts" impulses from 5 to 300 RPM which makes it a very flexible unit also for use on other machinery than conveyors.

The adjustment of the correct speed is easily made using a small screwdriver.

If a special type of sensor is required, it can be mounted in the same standard bracket. Please contact us for further information about this possibility.



PH 30 sensor type DI 0001 20-250 V AC/DC STANDARD  
PH 31 sensor type DI 0001 20-250 V AC (ALTERNATIVE)

Item	Description
1	Bearing
2	Mounting bracket
3	Cover
4	Bolt

Item 1 Bearing	Item 2 Mounting bracket	Item 3 Cover	Item 4 Bolt	Part no.
ø25	PH 30301	PH 30302	M 6 x 0.75 x 20	PH 30025
ø30	PH 30301	PH 30302	M 8 x 1 x 20	PH 30030
ø40-50	PH 30501	PH 30502	M 10 x 1.25 x 25	PH 30050
ø60	PH 30601	PH 30602	M 10 x 1.25 x 25	PH 30060

Part no.