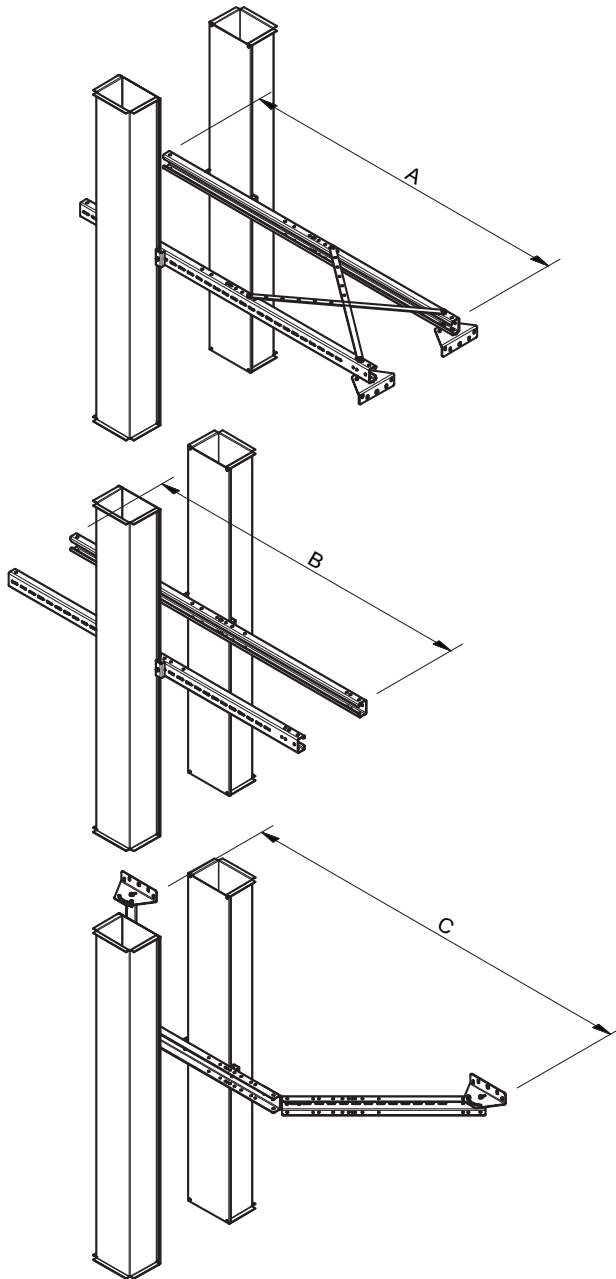


SUPPORT SYSTEMS ELEVATOR



Supported from one side:

Length of legs / supports:	500 mm
	1000 mm
	2000 mm

Intermediate supports:

Length of legs / supports:	2000 mm
----------------------------	---------

Supported from end:

Length of legs / supports:	500 mm
	1000 mm