

BUCKET ELEVATOR EH

Cimbria type EH bucket elevator is designed for vertical transport of loose bulk materials, such as grain like products.

The EH elevator has a heavy duty construction. It is intended for installation in an industrial environment and can be used for large scale transport, with a long period of operation.

The EH elevator has a totally enclosed construction divided into modular sections consisting of a head section, leg section and a boot section.

FEATURES

- Head pulley
- Boot pulley with slide plates
- Backstop, built in
- Slatted boot pulley with cone
- Slatted head pulley or solid head pulley with rubber lagging
- Weight tensioner

DRIVE SYSTEM

- Helical bevel gearmotor, hollow shaft
- Gearmotor mounted on right or left hand side as specified
- Electrical soft starter ≥ 15 kW (highly recommended)

CONTROLLERS

- Rotation sensing
- Bearing heat sensing (optional)
- Misalignment detectors (optional)

ACCESSORIES

- Connection for negative pressure
- Equipotential bonding of shafts
- Explosion relief (ATEX configuration)
- Inlet module
- Outlet module
- Scraper for solid boot pulley
- Support system; data sheet 102.01.101

| Technical data | | | | |
|----------------------|--------------------------|----------|----------|-----------|
| Machine | EH-20 | EH-24 | EH-32 | EH-40 |
| Maximum capacity | 638 m³/h | 737 m³/h | 936 m³/h | 1209 m³/h |
| Minimum belt speed | 3.00 m/s | 3.00 m/s | 3.00 m/s | 3.00 m/s |
| Maximum belt speed | 3.80 m/s | 3.80 m/s | 3.80 m/s | 3.80 m/s |
| Maximum bulk density | 850 kg/m³ | | | |
| Drive motor size | According to application | | | |
| Sound pressure level | 75 to 87 dB(A) | | | |
| Operating conditions | Indoor and outdoor | | | |
| | -15°C to +40°C ambient | | | |

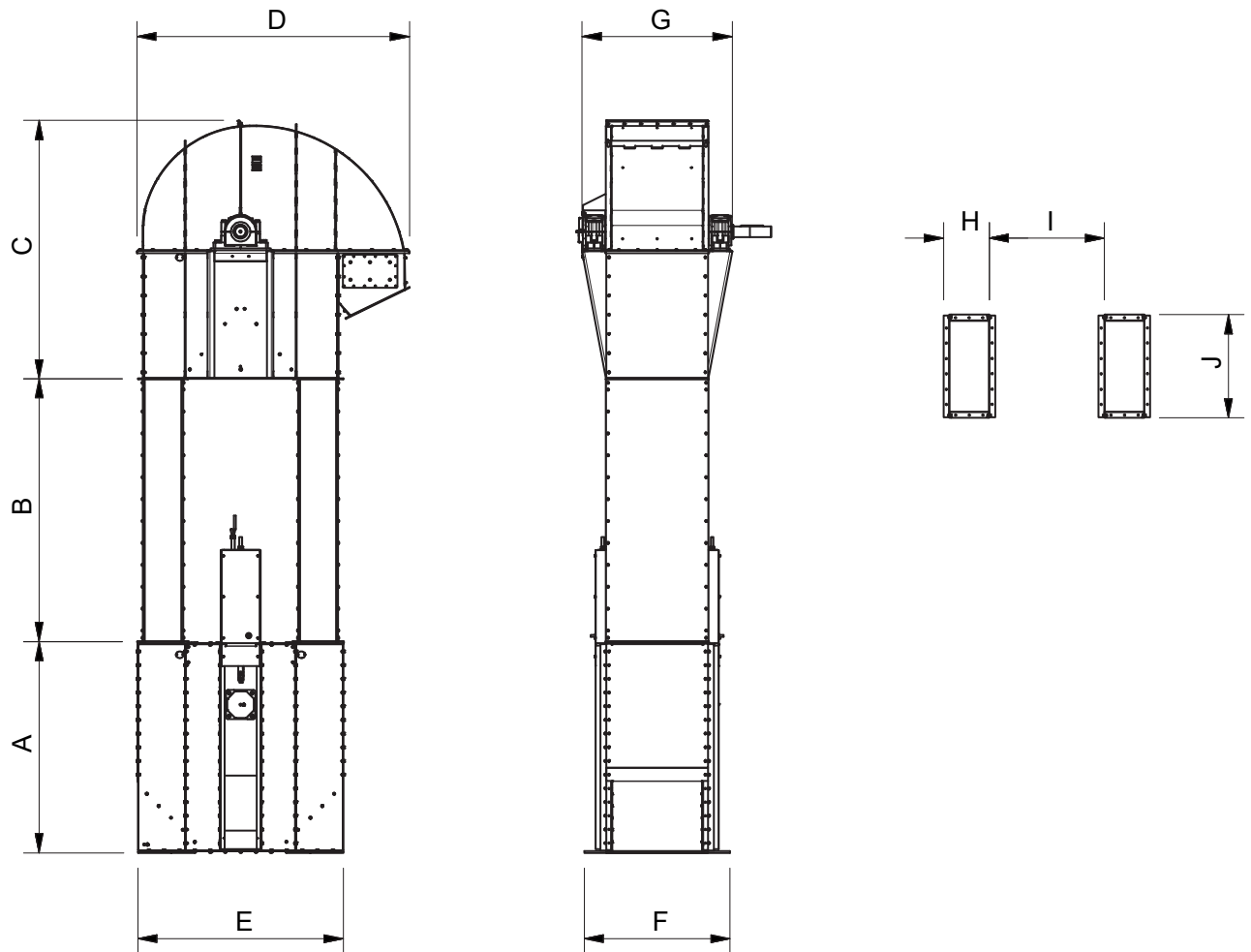
NOTE: All capacities in the above table are based on the handling of dry and cleaned wheat.

| Materials | | |
|------------------------------------|----------|---|
| Casing | Standard | Hot-dip galvanized |
| Casing wear parts (top and bottom) | Standard | Steel (Hardox®) |
| Belt material | Standard | Standard belt, 'Y', antistatic, (SBR) |
| | Optional | Oil-resistant belt 'GS', antistatic (NBR) |
| Belt fasteners | Standard | Steel |
| Buckets | Standard | Steel |
| | Optional | Plastic (PEHD) |
| Inlet wear parts | Standard | Steel (Hardox®) |
| Outlet wear parts | Standard | Steel (Hardox®) |
| Inlet hopper | Standard | Steel (Hardox®) |

| Compliance | | |
|------------|----------|---|
| ATEX | Standard | Non-zone inside Non-zone outside |
| | Optional | Zone 22 or 21 inside Zone 22 or 21 outside |

NOTE: Specific requirements apply for ATEX compliance.

BUCKET ELEVATOR EH



| | A [mm] | B [mm] | C [mm] | D [mm] | E [mm] | F [mm] | G [mm] | H [mm] | I [mm] | J [mm] |
|--------------|--------|--------|--------|--------|--------|--------|--------|--------|--------|--------|
| EH-20 | 1930 | 2400 | 2360 | 2490 | 1880 | 1200 | 1240 | 413 | 1050 | 810 |
| EH-24 | 1930 | 2400 | 2360 | 2490 | 1880 | 1330 | 1370 | 413 | 1050 | 940 |
| EH-32 | 1930 | 2400 | 2360 | 2490 | 1880 | 1550 | 1590 | 413 | 1050 | 1160 |
| EH-40 | 1930 | 2400 | 2360 | 2490 | 1880 | 1700 | 1740 | 413 | 1050 | 1310 |

| | Boot section [kg] | Head section [kg] ¹ | Leg section [kg/m elevator] | Belt [kg/m] | Weight of material [kg/m] ² | Belt types | | | | Belt width [mm] |
|--------------|-------------------|--------------------------------|-----------------------------|-------------|--|-------------|-------------|--------------|--------------|-----------------|
| EH-20 | 2000 | 2200 | 140 | 9.35-15.84 | 34 | EP630/5 1+1 | EP800/5 1+1 | EP1000/5 2+2 | EP1250/5 2+2 | 550 |
| EH-24 | 2100 | 2300 | 150 | 11.56-19.58 | 43 | EP630/5 1+1 | EP800/5 1+1 | EP1000/5 2+2 | EP1250/5 2+2 | 680 |
| EH-32 | 2400 | 2450 | 170 | 15.30-25.92 | 53 | EP630/5 1+1 | EP800/5 1+1 | EP1000/5 2+2 | EP1250/5 2+2 | 900 |
| EH-40 | 2600 | 2600 | 190 | 17.85-30.24 | 68 | EP630/5 1+1 | EP800/5 1+1 | EP1000/5 2+2 | EP1250/5 2+2 | 1050 |

[1] Weight of head section is without gearmotor

[2] With material bulk density 760 kg/m³