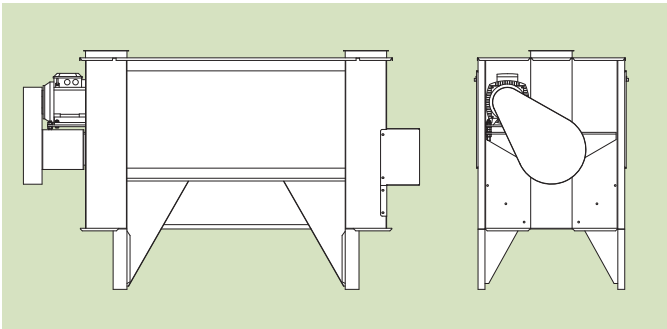


BRUSH MACHINE CB-181.1

GENERAL

Brand	Cimbria
Designation	Brush machine
Model	CB-181.1
Use	Industry
Application	Conditioning or polishing of cereal grains and other seeds intended for seed.



PERFORMANCE

	Bulk density t/m ³	Moisture content %	Capacity t/h
Grass seed	0.25–0.35	<12%	0.4–1
Vegetable seed	0.25–0.35	<12%	0.4–0.8
Bird seed (polishing)	0.76	<14%	1.5–2
Wheat	0.76	<14%	2–2.5

Note: Capacities depend on the quality required.

DIMENSIONS

Screen area, total	2.2 m ²
Screen size	ø600×1 175 mm
Overall length	2 296 mm
Overall height	1 385 mm
Overall width	899 mm

WEIGHT

Weight, empty	475 kg
Weight, operating (wheat)	530 kg
Weight, choked (wheat)	755 kg

OPERATING SPEED

Brush arm shaft	425 rpm
-----------------	---------

ELECTRICAL RATINGS

Motor, brush arm	5.5 kW or 7.5 kW
------------------	------------------

AIR SUPPLY AND EXTRACTION

Aspiration volume	500 m ³ /h
-------------------	-----------------------

NOISE

Sound pressure level, empty	Less than 70 dB(A)
-----------------------------	--------------------

COMPLIANCE

EU machinery legislation	Yes
EU ATEX legislation	No
EU food contact legislation	Option*

* Consult your Cimbria dealer for full details.

ENVIRONMENTAL CONDITIONS

Environment	Indoors
Temperature	From -20°C to +40°C
Altitude	Up to 1 000 m

SURFACE PROTECTION

Casing	Paint (corrosivity category C2; low durability)
--------	---

LIFETIME

Intended life limit	20 years
---------------------	----------