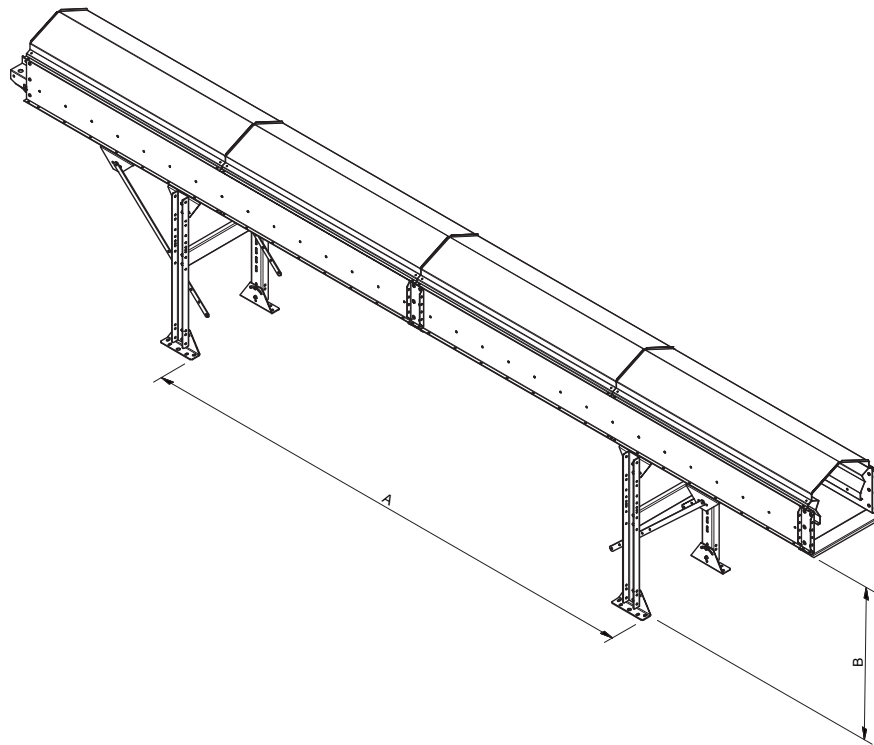


SUPPORT SYSTEM GT/GF/GI/GH

Supporting legs for Cimbria belt conveyors are manufactured from galvanized plate. Supporting legs can also be used as suspend (GT, GF).

Drawing shows support system for GT/GF



	GT-400 [mm]	GT-500 [mm]	GT-650 [mm]			
A - Max. distance between legs, without Tripper	10000	10000	8000			
A - Max. distance between legs, with Tripper	6000	6000	4000			
B - Max. length of legs	145-2000	145-2000	145-2000			

	GF-400 [mm]	GF-500 [mm]	GF-650 [mm]	GF-800 [mm]	GF-1000 [mm]	GF-1200 [mm]
A - Max. distance between legs	6000	6000	6000	6000	6000	6000
B - Max. length of legs	145-2000	145-2000	145-2000	145-2000	145-2000	145-2000

	GI-650 [mm]	GI-800 [mm]	GI-1000 [mm]	GI-1200 [mm]		
A - Max. distance between legs	6000	6000	6000	6000		
B - Max. length of legs	145-2000	145-2000	145-2000	145-2000		

	GH-650 [mm]	GH-800 [mm]	GH-1000 [mm]	GH-1200 [mm]	GH-1400 [mm]	GH-1600 [mm]
A - Max. distance between legs, without Tripper	9000	9000	9000	9000	9000	9000
A - Max. distance between legs, with Tripper	4000	4000	4000	4000	4000	4000
B - Max. length of legs	145-2000	145-2000	145-2000	145-2000	145-2000	145-2000