

Data sheet 20.3

Belt misalignment detector



Cimbria's belt misalignment detector is used in cases where full control is required of belt travel in a bucket elevator or belt conveyor.

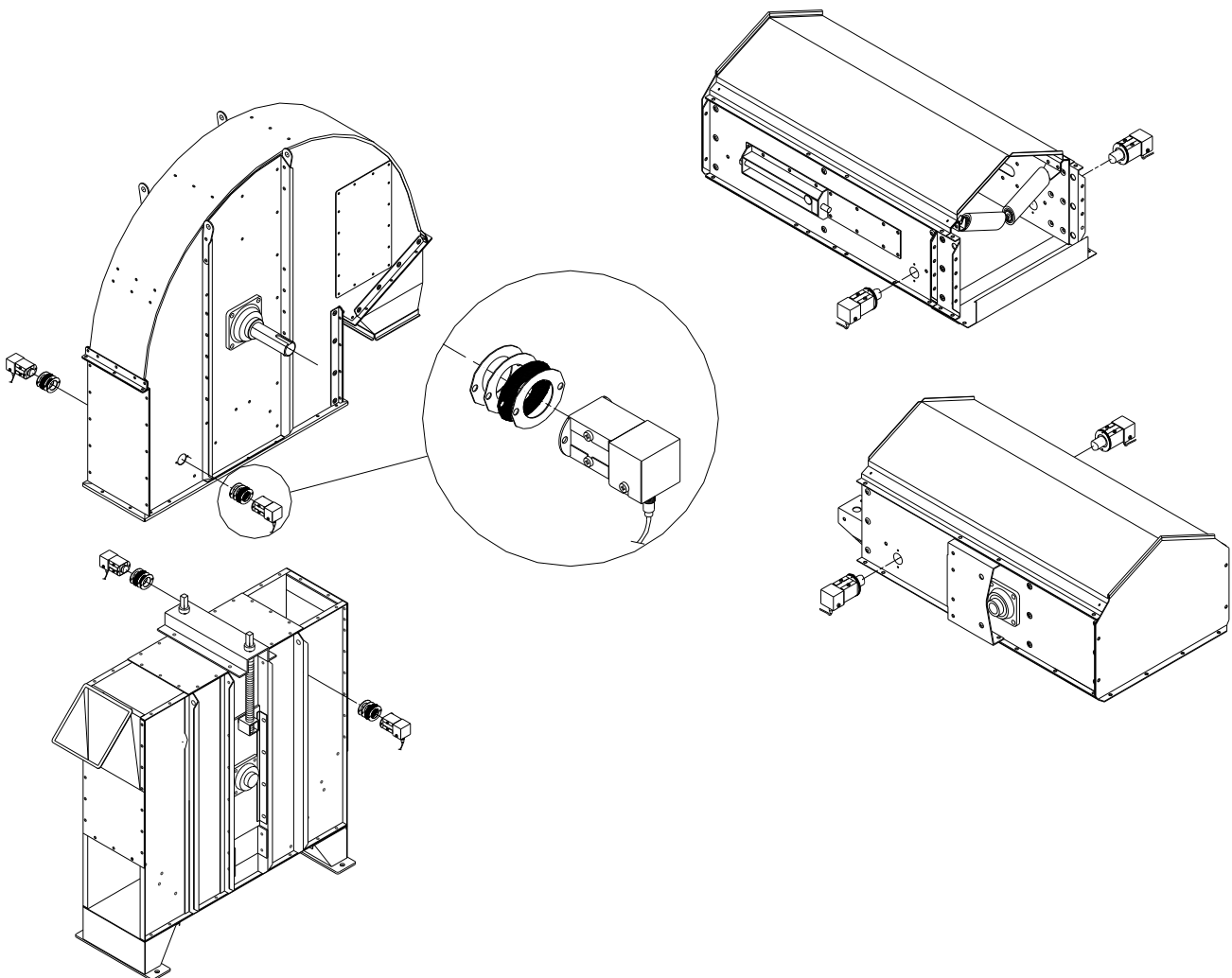
The misalignment detector is a mechanical/electronically sensor which register any sideway travel of the belt.

The misalignment detector sensor is with an indicative sensor for 12-24 V DC/NC.

Cimbria is normally recommending a time delay of 20 sec. for zone 21 & 1, and 30 sec. for zone 22 from detection to switch off system, which of course is depending on the actually installation.

All Cimbria's bucket elevators and belt conveyors are as standard constructed to facilitate the installation of the belt misalignment detector. This ensures quick, easy and correct installation. The belt misalignment detector can be adjusted by means of a simple push-button system.

Cimbria's belt misalignment detector is approved for use in ATEX zone 21.



Copyright © - Subject to alterations