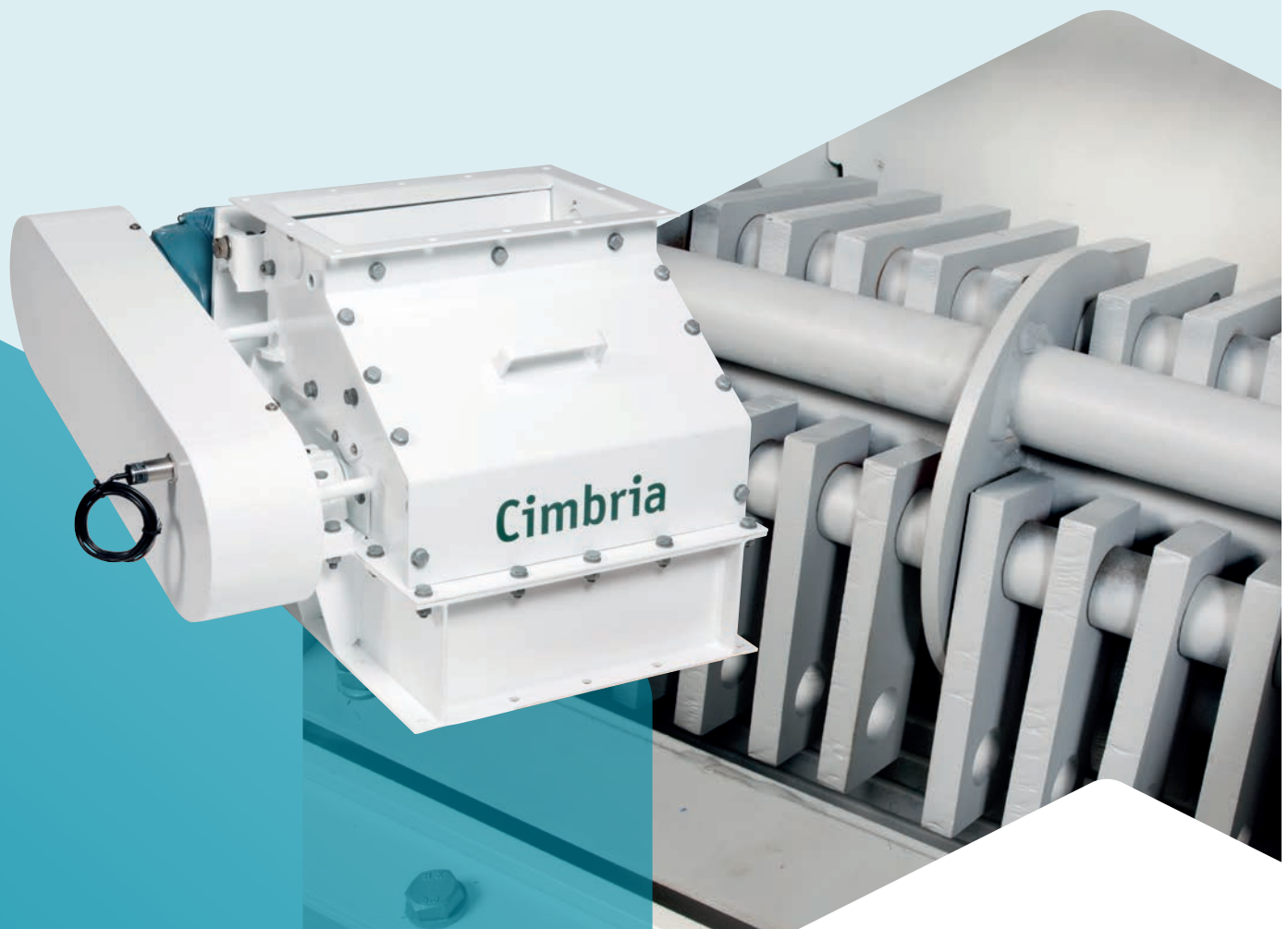


MULTI CRUSHER

CONVEYING 



MULTI CRUSHER MODELS AND CAPACITIES

The Multi Crusher can with advantage be implemented at an early stage in a conveying installation to protect the subsequent equipment in a processing line. These savings from replacement of affected wear parts mean that there will be a fast pay-back time on the Multi Crusher and a longer durability of the related processing equipment.

The Multi Crusher is thoroughly tested and well documented, and the design is a result of many years of hand-on experience. The crusher can be supplied in painted normal steel (RAL 9010) or stainless steel versions.

With a robust construction and varying application options, the Multi Crusher is highly efficient when handling non-sticky and non-stretchable products, and therefore it is ideal for branches

that handle large lump products such as power stations, food ingredients industries/slaughter houses, feed and fish foods plants and the sphagnum and fertilizer industry. Of products can be mentioned:

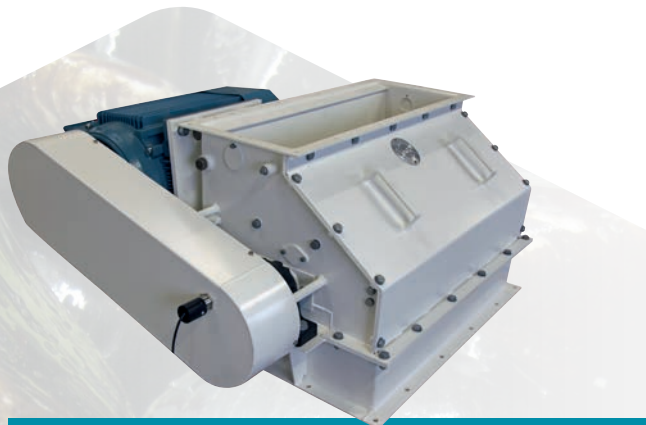
Feed: soya, peas, beans, grain, maize

Food: shell fish, mussels, crabs

Industry: coal, lime, fertilizer

TESTING OF PRODUCTS

Cimbria offers a no-obligation test of customers' products in our own production facilities. During test the specific capacity and the amps-consumption is measured. The crushed material will be returned to the client for inspection and approval to give a firm basis for decision.



MULTI CRUSHER CMC1

MULTI CRUSHER CMC1

Capacity	20-50 m ³ /h
Number of plat bar beaters	60
Standard motor	18,5 kW

Available motor sizes up to 30 kW on request



MULTI CRUSHER CMC2

MULTI CRUSHER CMC2

Capacity	10-40 m ³ /h
Number of plat bar beaters	30
Standard motor	7,5 kW

Available motor sizes up to 22 kW on request

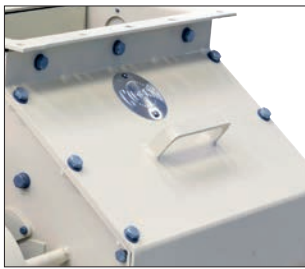
MULTI CRUSHER CONSTRUCTION

ADVANTAGES

- Durable construction with high operational reliability
- Crushes almost anything (dry and brittle bulk products)
- Protects the subsequent equipment
- Cheap to run = low maintenance cost
- Robust build-up
- Low build-in height
- Fully assembled and tested from factory
- Noise level max 80 db (A) (without product)

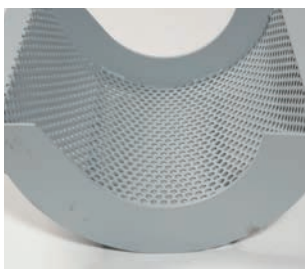
OPTIONS

- Speed guard
- Temperature indicator
- Customized transition for intake
- ATEX approved for zone 22
- Food grade approved in AISI 304
- Different sizes of holes in bottom grate (Ø6-Ø10 mm)
- Bespoke RAL colour



SERVICE/INSPECTION DOOR

The machine is fitted with a service/inspection door at the front and a safety switch to prevent accidental start up of the machine.



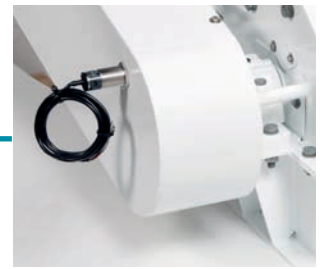
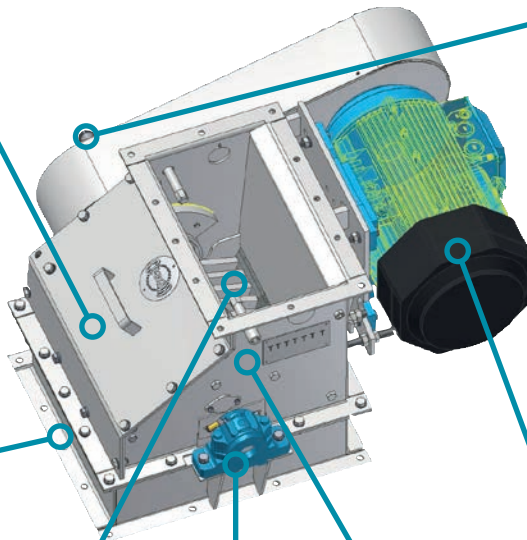
BOTTOM GRATE

Can be supplied with a 5 mm removable bottom grate with Ø6-10 mm holes as standard, up to Ø25 mm on request.



FLAT BAR BEATERS

Three sets of calibrated flat bar beaters rotate and crush the material against an adjustable plate. The flat bar beaters are supplied in Hardox 400.



SPEED GUARD (OPTIONAL)

The speed guard is a safety device which ensures that the Multi Crusher stops in case the V-belt breaks or if an entered speed limit is exceeded.



DRIVING STATION

The Multi Crusher is supplied with an electric motor with shielded V-belt drive, gear ratio 1:1, direct to motor.



TIGHTENING RING (SEALING)

For optimum tightening, the crusher is equipped with a tightening ring between crusher house and shaft.



INDICATOR (OPTIONAL)

Can be supplied with an indicator that secures a motor stop in case the machine or the products exceed an entered temperature limit.



A/S CIMBRIA

Faartoftvej 22
P.O. Box 40, 7700 Thisted
DENMARK
Phone: +45 96 17 90 00
holding@cimbria.com
www.cimbria.com

CIMBRIA BULK EQUIPMENT A/S

Industrivej Syd 1a
7400 Herning
DENMARK
Phone: +45 72 42 24 00
cbe@cimbria.com
www.cimbria.com

**SOLUTIONS.
TOGETHER.**