

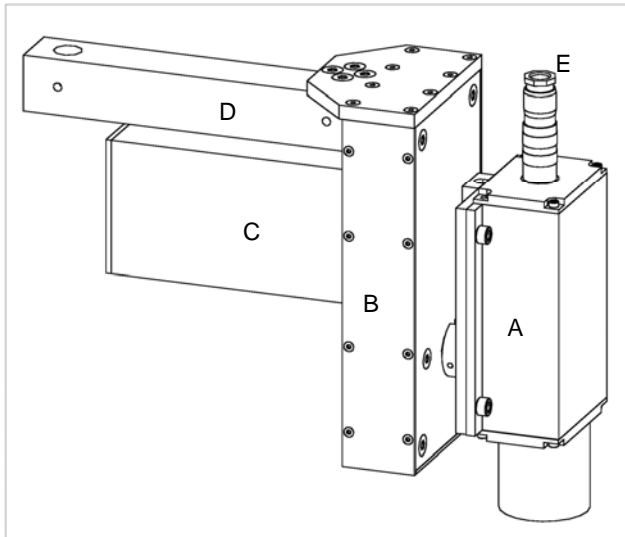
Data Sheet 517.1

IMS SINGLE AXIS SCANNER

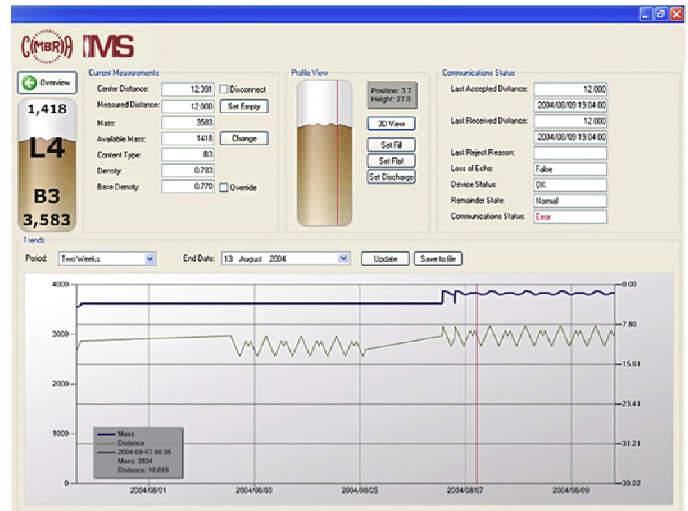


The CIMBRIA Inventory Management System, "IMS", SINGLE AXIS SCANNER is designed for use in silo bins with a diameter of more than 15 m to ensure accurate profile management. It is also ideal to use in silo bins with more than one discharge point.

The Single Axis Scanner is just one of various Cimbria IMS solutions for accurate profile management. All the measuring devices report measurements to the operational office where the IMS server correlates physical movements in the bins to actual transaction documentation. All this data is available in the IMS graphical interface.



- A) Laser
- B) Gear Housing
- C) Motor Housing
- D) Mounting Bar
- E) Power and Data Conduit



IMS Software GUI

LASER

- TYPE:** 650 nm laser diode (Red)
- CLASS:** Class 2 Conforming to IEC825-1 /EN60825, Class 2 (FDA21 CFR)
- OUTPUT POWER:** < 1 mW
- DIVERGENCE:** 0.6 mrad
- MAX RANGE:** 50 M (>100 M with reflective target)
- MIN RANGE:** 200 mm
- RESOLUTION:** 1 mm
- SUPPLY VOLTAGE:** 1 VDC to 30 VDC (Reverse polarity protected)
- POWER USAGE:** <1.5W
- DATA INTERFACE:** RS232 -9600,8,N,1 (ASCII)
- OPERATING TEMP:** -10°C to +60°C
- WEIGHT:** 850 g
- PROTECTION:** IP65

SCANNER

- TILT DEFLECTION:** 170°
- STEP RESOLUTION:** Steps down to 0.3° Software Changeable
- CONNECTOR:** Circular type (IP68)
- SUPPLY VOLTAGE:** +24VDC ±10%
- POWER USAGE:** <85VA
- DATA INTERFACE:** RS232 - 9600,8,N,1
- OPERATIONAL TEMP:** 0°C to +40°C
- WEIGHT:** 3 kg NETT
- PROTECTION:** equ to IP65

Copyright © - The right to alterations is reserved

