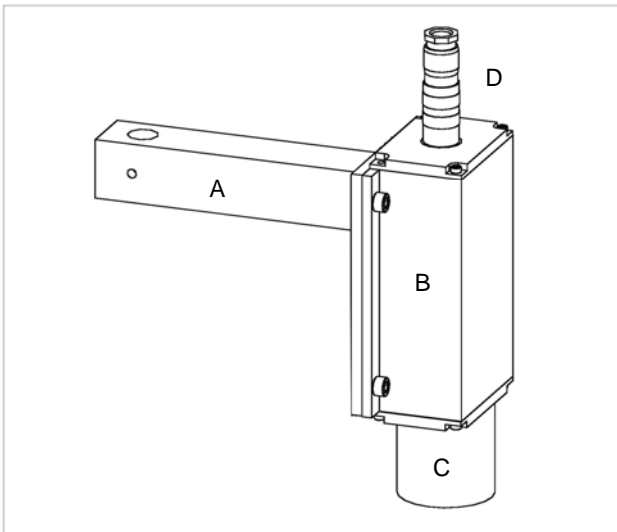


Data Sheet 517.0

IMS FIXED LASER



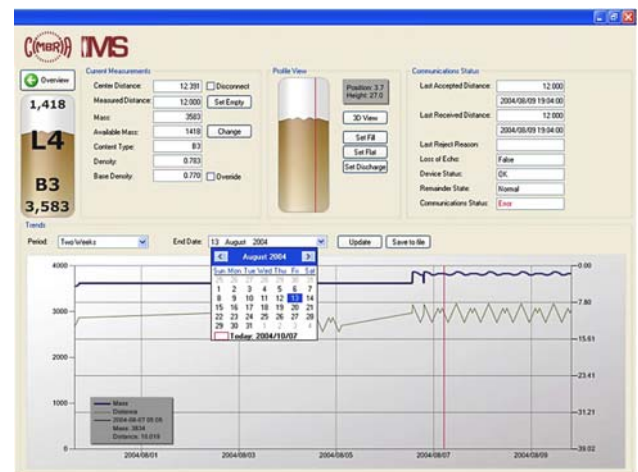
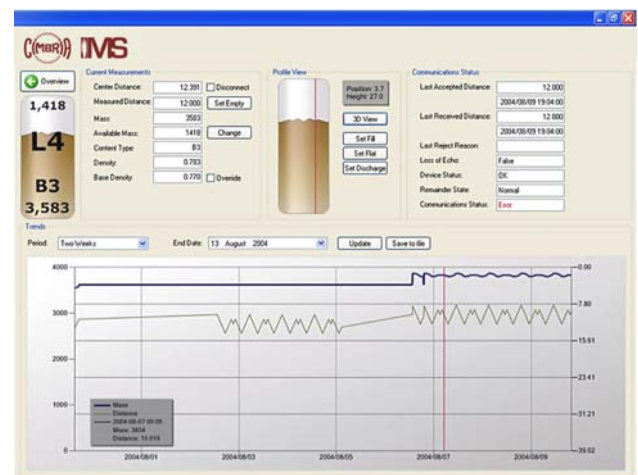
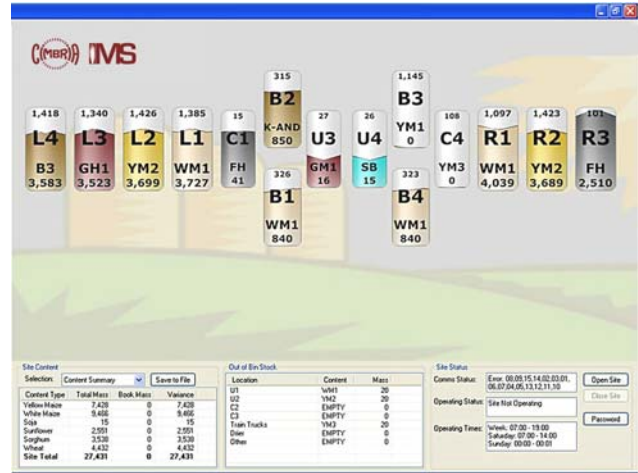
The IMS FIXED LASER is installed in smaller silo bins with diameters less than 15 m to accurately measure commodity levels. The IMS FIXED LASER constantly measures the distance to the grain profile and relay it back to the IMS Software. Dynamic Profiler within the IMS Software is used to produce the grain profile based on current measurements and historic movements and measurements.



- A) Mounting Bar
- B) Laser Housing
- C) Dust Cover
- D) Power and Data Conduit

LASER

TYPE: 650 nm laser diode (Red)
CLASS: Class 2 Conforming to IEC825-1 /EN60825, Class 2 (FDA21 CFR)
OUTPUT POWER: < 1mW
DIVERGENCE: 0.6 mrad
MAX RANGE: 50 M
 (>100 M with reflective target)
MIN RANGE: 200 mm
RESOLUTION: 1 mm
SUPPLY VOLTAGE: 1VDC to 30VDC
 (Reverse polarity protected)
POWER USAGE: <1.5W
DATA INTERFACE: RS232 -9600,8,N,1 (ASCII)
OPERATING TEMP: -10°C to +60°C
WEIGHT: 850g
PROTECTION: IP65



IMS Screens

Copyright © - The right to alterations is reserved

