

# HEAT EXCHANGER VG-36 DUPLEX

## GENERAL

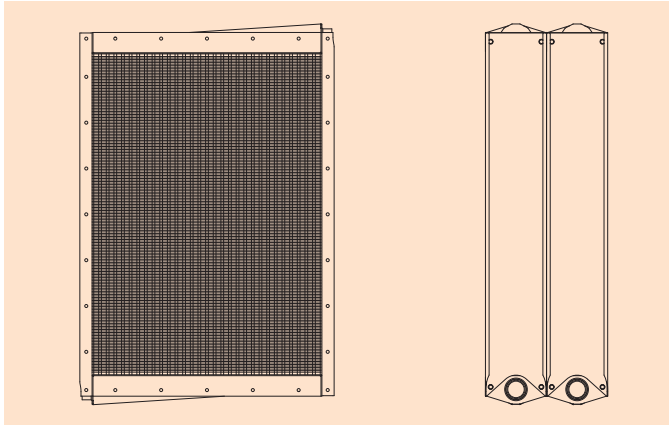
Brand	Cimbria
Designation	Heat exchanger
Model	VG-36 Duplex
Use	Industry
Application	Heating air for use in Cimbria continuous flow dryers.

## DIMENSIONS

Overall width	832 mm
Overall height	1 246 mm
Overall depth	400 mm

## VOLUME AND WEIGHT

Volumetric capacity	41 l
Weight, empty	340 kg



## WATER SUPPLY

Water temperature	From +2°C to +110°C
-------------------	---------------------

## ENVIRONMENTAL CONDITIONS

Environment	Indoors or outdoors
-------------	---------------------

## MATERIALS

Frame, tube and fins	Steel, hot-dip galvanized (internal and external)
----------------------	---

## LIFETIME

Intended life limit	20 years
---------------------	----------

## PERFORMANCE

Water temperature [°C]	Water cooling [ΔT°C]	Air volume flow [m³/h]	Air resistance [Pa]	Air temperature [°C]	Water volume flow [m³/h]	Water resistance [hPa]	Effect [kW]	
75	5	6 000	58	56	14	96	83	
		9 000	134	48	18	125	103	
		12 000	238	43	20	147	116	
	10	6 000	58	54	7	35	79	
			9 000	134	47	8	41	98
			12 000	238	42	10	46	111
		15	6 000	58	52	4	24	76
			9 000	134	45	5	26	94
			12 000	238	41	6	28	106
90	10	6 000	58	64	9	45	101	
		9 000	134	56	11	56	125	
		12 000	238	49	12	64	141	
	15	6 000	58	62	6	28	97	
		9 000	134	54	7	33	121	
		12 000	238	48	8	36	136	
	20	6 000	58	60	4	22	94	
		9 000	134	53	5	25	116	
		12 000	238	47	6	27	131	
	100	10	6 000	58	71	10	51	115
			9 000	134	61	12	68	143
			12 000	238	54	14	78	162
15		6 000	58	69	6	32	111	
		9 000	134	60	8	38	138	
		12 000	238	53	9	42	157	
20		6 000	58	67	5	24	108	
		9 000	134	58	6	28	134	
		12 000	238	52	7	30	152	

\* Test conditions: Ambient temperature: 15°C; Relative humidity: 75%.