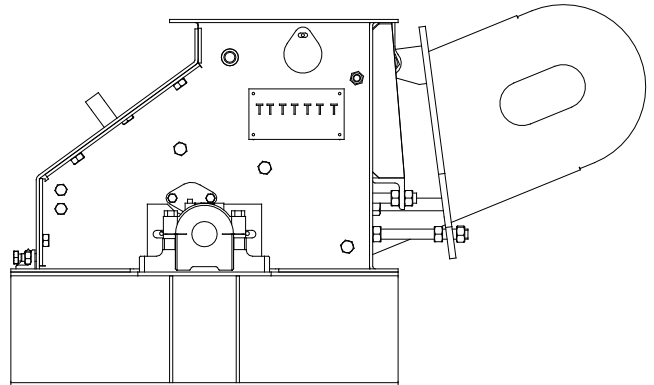
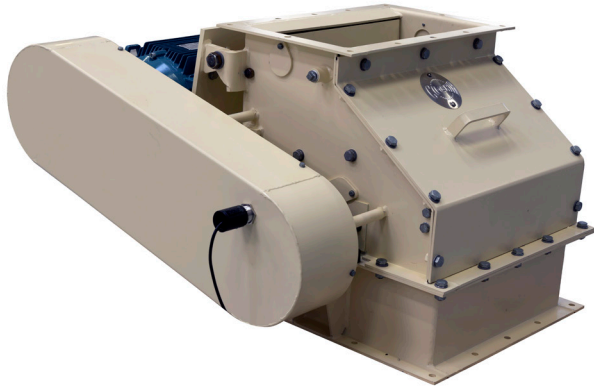


# MULTI CRUSHER CMC2



Technical information											
<b>Built-in height</b>	<table border="0"> <tr> <td>Total height of machine</td> <td>588 mm</td> </tr> <tr> <td>Inlet, inside dimensions</td> <td>460 x 270 mm</td> </tr> <tr> <td>Bottom outlet, inside dimensions</td> <td>520x460 mm</td> </tr> <tr> <td>Total width with motor</td> <td>1050 mm</td> </tr> <tr> <td>Total length with motor</td> <td>785 mm</td> </tr> </table>	Total height of machine	588 mm	Inlet, inside dimensions	460 x 270 mm	Bottom outlet, inside dimensions	520x460 mm	Total width with motor	1050 mm	Total length with motor	785 mm
Total height of machine	588 mm										
Inlet, inside dimensions	460 x 270 mm										
Bottom outlet, inside dimensions	520x460 mm										
Total width with motor	1050 mm										
Total length with motor	785 mm										
<b>Material</b>	<p><b>All manufactured in AISI 304</b> Surface treatment: Pickled, bearing housings chemical nickel Except: Motor, V-belts and flat bar beaters</p> <p><b>All manufactured st. 37 but all wearing surfaces in Hardox 400</b> Surface treatment: Cleaned and degreased. Cm primer 120 µ. Color RAL 9010 off white. Except: Motor, V-belts and flat bar beaters</p>										
<b>Capacity</b>	Approx.: 10-40 m <sup>3</sup> depending on material										
<b>Motor sizes</b>	Standard: 7,5 kW motor Available motor sizes for standard Multi crushers: 11 kW standard motor 15 kW standard motor 18,5 kW standard motor 22 kW standard motor										
<b>Description</b>	<p>The crusher is made from 5 mm sheet as a profile shaped machine body. The bottom frame is built as a U-profile. There is a 50 mm wide flange around the inlet with Ø10 mm holes. The machine is fitted with a service/inspection door at the front.</p> <p>The crusher is an impact crusher type equipped with 1 turned rotor, ø252x809 mm with ø60 mm steel shaft running in SKF ball bearings, type SNL 513.</p> <p>3 sets of calibrated flat bard beaters Hardox 400 are fitted on the rotor, which crush the material against an adjustable plate during rotation.</p> <p>Driving station: 18,5 kW electric motor, 1400 t/min. - 3x380 V / 50 Hz. via shielded V-belt drive, gear ratio 1:1, direct to rotor.</p> <p>The Multi crusher is equipped with an adjustable, removable bottom grate with holes Ø6-Ø10.</p> <p>Equipped with tightening ring between crusher housing and shaft. The Multi Crusher can be approved for ATEX zone 22</p>										
<b>Accessories</b>	Shaft speed guard / two indicators PTN 100 in house ATEX approved for zone 22 Food approved (AISI 314) Indicator on bearings Various hole sizes in the bottom grade Ø6-Ø10										