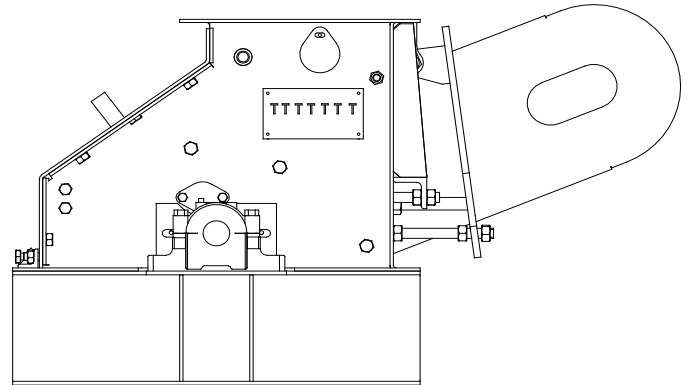
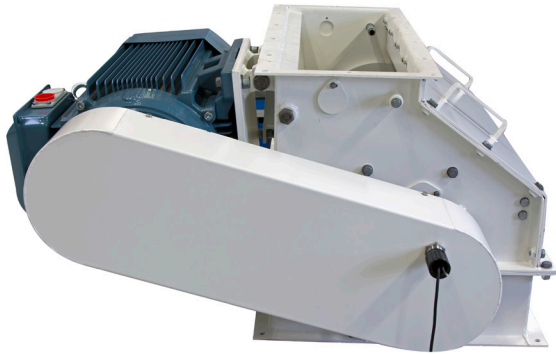


MULTI CRUSHER CMC1



Technical information	
Built-in height	Total height of machine 605 mm Inlet, inside dimensions 295 x 864 mm Bottom outlet, inside dimensions 570x864 mm Total width with motor 1250 mm Total length with motor 1150 mm
Material	<p>All manufactured in AISI 304 Surface treatment: Pickled, bearing housings chemical nickel Except: Motor, V-belts and flat bar beaters</p> <p>All manufactured st. 37 but all wearing surfaces in Hardox 400 Surface treatment: Cleaned and degreased. Cm primer 120 µ. Color RAL 9010 off white. Except: Motor, V-belts and flat bar beaters</p>
Capacity	Approx.: 20-50 m³ depending on material
Motor sizes	Standard: 18,5 kW motor Available motor sizes for standard Multi crushers: 22 kW standard motor 30 kW standard motor
Description	<p>The crusher is made from 5 mm sheet as a profile shaped machine body. The bottom frame is built as a U-profile. There is a 50 mm wide flange around the inlet with Ø10 mm holes. The machine is fitted with a service/inspection door at the front.</p> <p>The crusher is an impact crusher type equipped with 1 turned rotor, Ø252x809 mm with Ø60 mm steel shaft running in SKF ball bearings, type SNL 513.</p> <p>3 sets of calibrated flat bard beaters Hardox 400 are fitted on the rotor, which crush the material against an adjustable plate during rotation.</p> <p>Driving station: 18,5 kW electric motor, 1400 t/min. - 3x380 V / 50 Hz. via shielded V-belt drive, gear ratio 1:1, direct to rotor.</p> <p>The Multi crusher is equipped with an adjustable, removable bottom grate with holes Ø6-Ø10.</p> <p>Equipped with tightening ring between crusher housing and shaft. The Multi Crusher can be approved for ATEX zone 22</p>
Accessories	Shaft speed guard / two indicators PTN 100 in house ATEX approved for zone 22 Food approved (AISI 314) Indicator on bearings Various hole sizes in the bottom grade Ø6-Ø10