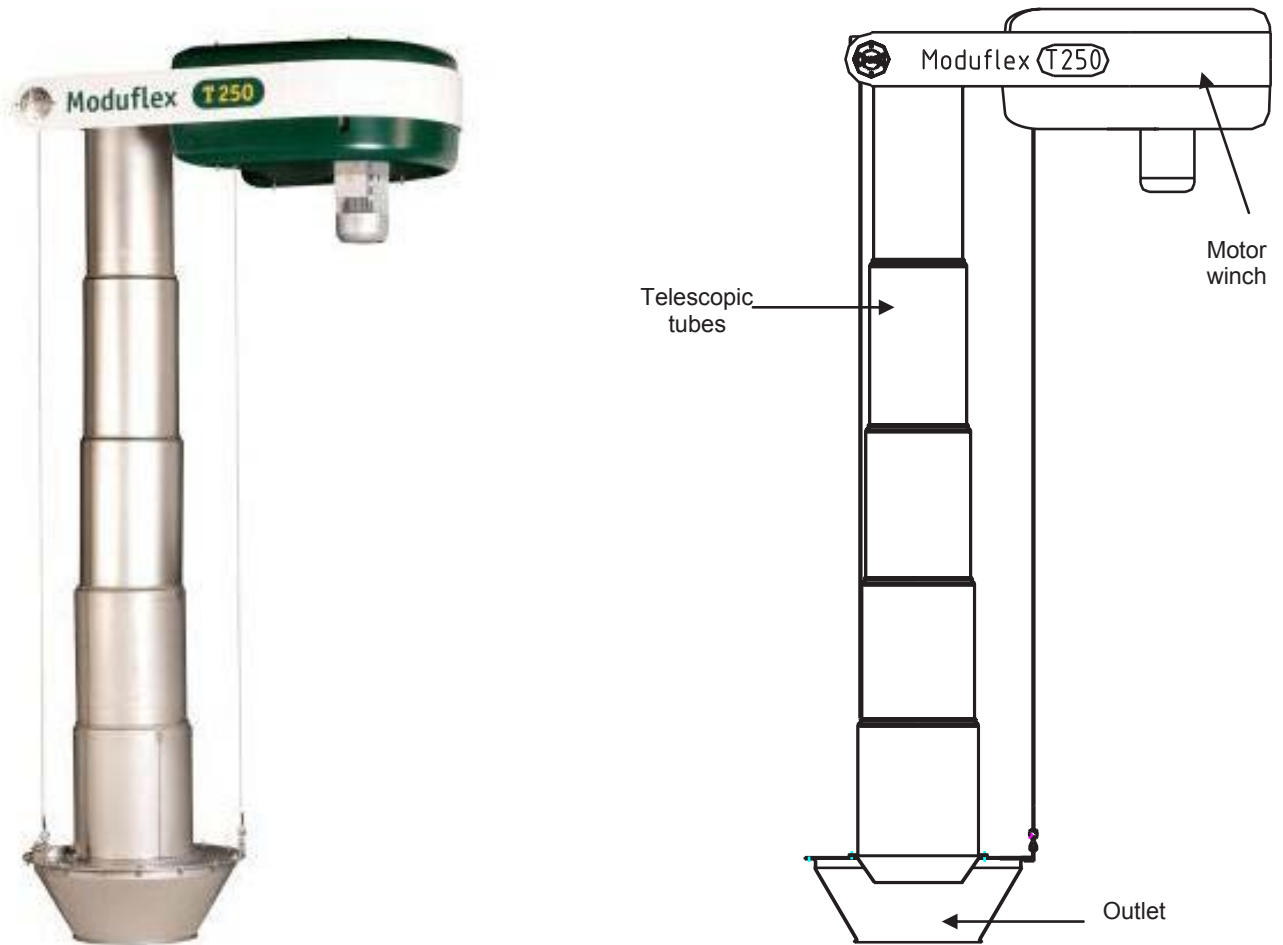


MODUFLEX TELESCOPIC TUBE T250



Technical Information – T250	
Inlet	Cylindrical Inlet tube in 2 mm steel. With Ø250 PN10 (2576B) connection c/w 12 off M20 nuts. Optionally with exhaust connection Ø100 with separate hose and snap lock system.
Telescopic tubes	One set of tubes consists of 5 tubes, manufactured in Aisi 316. The tubes are available in a long and short version. The complete set of tubes can be disconnected easily from the inlet and outlet. The individual tubes can be disconnected from the other tubes without the use of tools.
Outlet	Type T – Tank Outlet with steel cone for loading in tanker truck. Type F – Flat Outlet with dust skirt for loading in open truck. Type M – Multi Outlet with steel cone and dust skirt for loading in tanker truck and open truck
Motor Winch	Motor 0.55 kW, 1400 rpm. Gear box ratio 100:1. Tight and slack wire indication External 3-point wire hoist system with high precision ball bearings and 3 off winch discs vertically fitted. Hoist wires Ø5mm available in steel, stainless steel Aisi316 or Long Life steel quality. Self-lubricating wire rollers in Ertalite TX.
General info	Max. loading capacity approx. 150 m ³ /hour. Recommended connecting value for aspiration 550 m ³ /hour 100 Pa. Metal contact parts available in stainless steel Aisi 304/316. Other metal parts available in painted steel st. 37. Other steel qualities on request. Surface treatment St. 37: Iron phosphating, 80 micron coating RAL 9010 pure white. Surface treatment Aisi 304/316: Acid-washed without any further treatment Motor winch covers in ABS - RAL 6005 dark green Available with full approval and certificates for location in ATEX zone 21 and 22 (zone 20 inside the telescope)

Accessories for Telescopic tube T250 please see separate Data Sheets.

MODUFLEX TELESCOPIC TUBE T250

Set of tubes	Outlet type TS			Outlet type FS			Outlet type MS		
	L1	L2	L3	L1	L2	L3	L1	L2	L3
Short	2642	864	1778	2657	879	1778	2942	1164	1778
Long	4142	1164	2978	4157	1179	2978	4442	1464	2978

