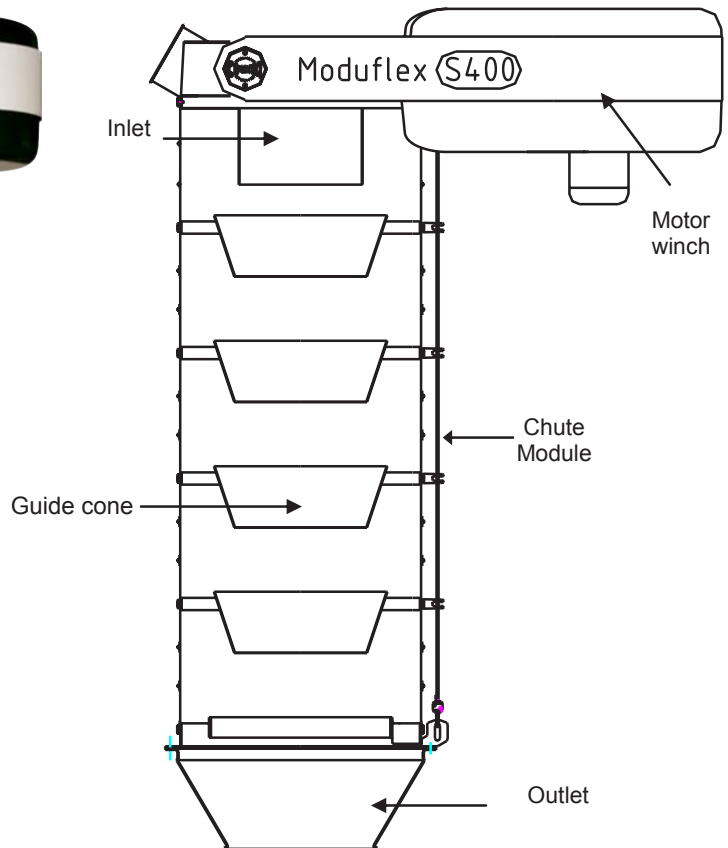


MODUFLEX LOADING CHUTE S400



| Technical Information – S400 | |
|------------------------------|--|
| Inlet | Cylindrical Inlet tube in 2 mm steel. Fitting Ø400 PN10 flange (DIN 2576B). Mounted with 16 off M24 bolts. Exhaust connection Ø150, optionally with automatic closing function. |
| Chute Modules | Type Y - Standard: Yellow. PVC/Polyester. Ø700mm/H=300mm. Temperature -35°C - +70°C Type M - Food Grade: Light Grey. PVC/Polyester. Ø700mm/H=300mm. Temperature -30°C - +70°C Type W - Special: Misc. PVC/Polyester. Ø700mm/H=300mm. Temperature -35°C - +70°C Type B - Heavy Duty: Black. Synthetic rubber. Ø700mm/H=300mm. Temperature -40°C - +130°C Type G - Extreme Temperature: Grey. Teflon/Fiber glass. Ø700mm/H=300mm. Temperature -35°C - +260°C Type R - High temperature: Red. Polyester and fiber/silicone rubber. Ø700/H300mm. Temp. -40°C - +150°C (peak +220°C) Type Z - Low temperature: Green. PVC/PU. Ø700mm/H=300mm. Temperature -60° C - +70° C Connection ring in stainless steel Aisi 304, c/w 3 off wire guides in nylon. |
| Guide Cones | Type O - Support ring. Steel, H=30mm Type J - Steel Standard. Steel, H=150mm, pt=2mm. |
| Outlet | Type T – Tank Outlet with steel cone for loading in tanker truck. Type F – Flat Outlet with dust skirt for loading in open truck. Type M – Multi Outlet with steel cone and dust skirt for loading in tanker truck and open truck. |
| Motor Winch | Motor 0.55-2.2 kW, 1400 rpm. Gear box ratio 100:1. Tight and slack wire indication External 3-point wire hoist system with high precision ball bearings and 3 off winch discs vertically fitted. Hoist wires Ø5mm available in steel, stainless steel Aisi316 or Long Life steel quality. Self-lubricating wire rollers in Ertalite TX, alternatively steel/stainless steel with bronze bearing |
| General info | Max. loading capacity approx. 440 m³/hour. Recommended connecting value for aspiration 1200 m³/hour 100 Pa. Metal parts available in painted steel st. 37 or stainless steel Aisi 304. Other steel qualities on demand. Surface treatment St. 37: Iron phosphating, 80 micron coating RAL 9010 pure white. Surface treatment Aisi 304: Acid-washed without any further treatment Motor winch covers in ABS - RAL 6005 dark green Available with full approval and certificates for location in ATEX zone 21 and 22 (zone 20 inside the chute) |

Accessories for Loading Chute S400 please see separate Data Sheets.

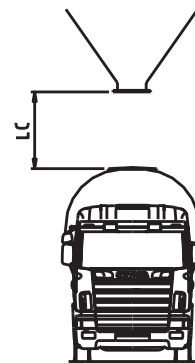
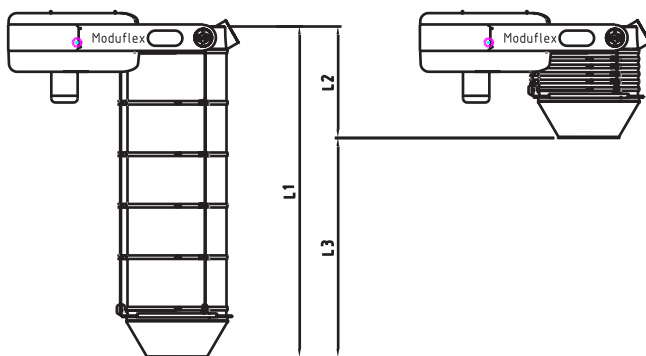
MODUFLEX LOADING CHUTE S400

| S400 | | | | | | | | | |
|------|----------------|------|------|----------------|------|------|----------------|------|------|
| | Outlet type TS | | | Outlet type FS | | | Outlet type MS | | |
| | Steel | | | Steel | | | Steel | | |
| M | L1 | L2 | L3 | L1 | L2 | L3 | L1 | L2 | L3 |
| 1 | 748 | 486 | 262 | 762 | 500 | 262 | | | |
| 2 | 1055 | 531 | 524 | 1069 | 545 | 524 | | | |
| 3 | 1362 | 576 | 786 | 1376 | 590 | 786 | | | |
| 4 | 1669 | 621 | 1048 | 1683 | 635 | 1048 | | | |
| 5 | 1976 | 666 | 1310 | 1990 | 680 | 1310 | | | |
| 6 | 2283 | 711 | 1572 | 2297 | 725 | 1572 | 2582 | 1010 | 1572 |
| 7 | 2590 | 756 | 1834 | 2604 | 770 | 1834 | 2889 | 1055 | 1834 |
| 8 | 2897 | 801 | 2096 | 2911 | 815 | 2096 | 3196 | 1100 | 2096 |
| 9 | 3204 | 846 | 2358 | 3218 | 860 | 2358 | 3503 | 1145 | 2358 |
| 10 | 3511 | 891 | 2620 | 3525 | 905 | 2620 | 3810 | 1190 | 2620 |
| 11 | 3818 | 936 | 2882 | 3832 | 950 | 2882 | 4117 | 1235 | 2882 |
| 12 | 4125 | 981 | 3144 | 4139 | 995 | 3144 | 4424 | 1280 | 3144 |
| 13 | 4432 | 1026 | 3406 | 4446 | 1040 | 3406 | 4731 | 1325 | 3406 |
| 14 | 4739 | 1071 | 3668 | 4753 | 1085 | 3668 | 5038 | 1370 | 3668 |
| 15 | 5046 | 1116 | 3930 | 5060 | 1130 | 3930 | 5345 | 1415 | 3930 |
| 16 | 5353 | 1161 | 4192 | 5367 | 1175 | 4192 | 5652 | 1460 | 4192 |
| 17 | 5660 | 1206 | 4454 | 5674 | 1220 | 4454 | 5959 | 1505 | 4454 |
| 18 | 5967 | 1251 | 4716 | 5981 | 1265 | 4716 | 6266 | 1550 | 4716 |
| 19 | 6274 | 1296 | 4978 | 6288 | 1310 | 4978 | 6573 | 1595 | 4978 |
| 20 | 6581 | 1341 | 5240 | 6595 | 1355 | 5240 | 6880 | 1640 | 5240 |
| 21 | 6888 | 1386 | 5502 | 6902 | 1400 | 5502 | 7187 | 1685 | 5502 |
| 22 | 7195 | 1431 | 5764 | 7209 | 1445 | 5764 | 7494 | 1730 | 5764 |
| 23 | 7502 | 1476 | 6026 | 7516 | 1490 | 6026 | 7801 | 1775 | 6026 |
| 24 | 7809 | 1521 | 6288 | 7823 | 1535 | 6288 | 8108 | 1820 | 6288 |
| 25 | 8116 | 1566 | 6550 | 8130 | 1580 | 6550 | 8415 | 1865 | 6550 |

| S400 + FlexClose + indicator | | | | | | | |
|------------------------------|--------------------------------|------|------|------|---------------|------|------|
| M | Rotating+ capacitive indicator | | | | Vibration rod | | |
| | LC | L1 | L2 | L3 | L1 | L2 | L3 |
| 2 | 1149 | 1619 | 1100 | 519 | 1689 | 1170 | 519 |
| 3 | 1456 | 1926 | 1145 | 781 | 1996 | 1215 | 781 |
| 4 | 1763 | 2233 | 1190 | 1043 | 2303 | 1260 | 1043 |
| 5 | 2070 | 2540 | 1235 | 1305 | 2610 | 1305 | 1305 |
| 6 | 2377 | 2847 | 1280 | 1567 | 2917 | 1350 | 1567 |
| 7 | 2684 | 3154 | 1325 | 1829 | 3224 | 1395 | 1829 |
| 8 | 2991 | 3461 | 1370 | 2091 | 3531 | 1440 | 2091 |
| 9 | 3298 | 3768 | 1415 | 2353 | 3838 | 1485 | 2353 |
| 10 | 3605 | 4075 | 1460 | 2615 | 4145 | 1530 | 2615 |

| S400 | | | | |
|-----------------------------|------|------|------|------|
| with FlexClose no indicator | | | | |
| M | LC | L1 | L2 | L3 |
| 2 | 1149 | 1459 | 940 | 519 |
| 3 | 1456 | 1766 | 985 | 781 |
| 4 | 1763 | 2073 | 1030 | 1043 |
| 5 | 2070 | 2380 | 1075 | 1305 |
| 6 | 2377 | 2687 | 1120 | 1567 |
| 7 | 2684 | 2994 | 1165 | 1829 |
| 8 | 2991 | 3301 | 1210 | 2091 |
| 9 | 3298 | 3608 | 1255 | 2353 |
| 10 | 3605 | 3915 | 1300 | 2615 |

| S400 | | | | |
|---------------|------|------|------|------|
| with FlexFill | | | | |
| M | LC | L1 | L2 | L3 |
| 3 | 1737 | 2056 | 1270 | 786 |
| 4 | 2044 | 2363 | 1315 | 1048 |
| 5 | 2351 | 2670 | 1360 | 1310 |
| 6 | 2658 | 2977 | 1405 | 1572 |
| 7 | 2965 | 3284 | 1450 | 1834 |
| 8 | 3272 | 3591 | 1495 | 2096 |
| 9 | 3579 | 3898 | 1540 | 2358 |
| 10 | 3886 | 4205 | 1585 | 2620 |



LC measure to be used when the loading chute is fitted with FlexClose or FlexFill.