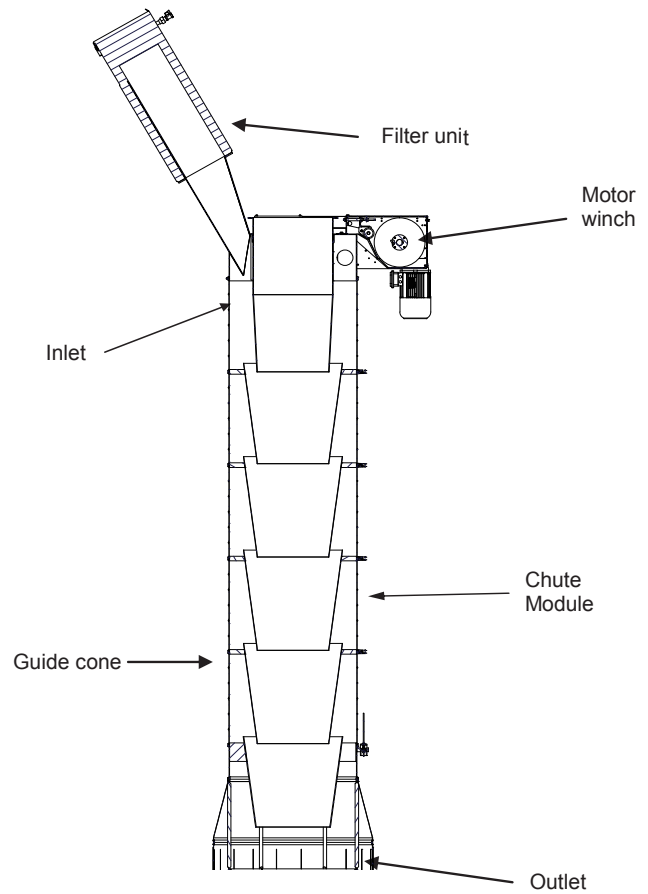


MODUFLEX LOADING CHUTE N500



Technical Information – K500	
Inlet	Cylindrical Inlet tube in 4 mm steel. With Ø500 connection flange. Sidemounted filter module with built-in cartridge filter, pressure tank, magnetic valves etc. 9 off filter cartridges, totals 9 m ² , alternatively 14m ² or 18m ² . Fan with 0.75kW motor. Alternatively 1.5kW mounted at site.
Chute Modules	Type E - Extended: Yellow. PVC/Polyester. Ø800mm/H=600mm. Temperature -35°C - +70°C Type M - Food Grade: Light Grey. PVC/Polyester. Ø800mm/H=600mm. Temperature -30°C - +70°C Type W - Special: Misc. PVC/Polyester. Ø800mm/H=600mm. Temperature -35°C - +70°C Type B - Heavy Duty: Black. Synthetic rubber. Ø800mm/H=600mm. Temperature -40°C - +130°C Type G - Extreme Temperature: Grey. Teflon/Fiber glass. Ø800mm/H=600mm. Temperature -35°C - +260°C Type R-High Temperature: Red. Polyester and fiber/silicone. Ø800mm/H=600mm. Temperature: -40°C - +150°C (peak + 220°C) Type Z - Low temperature: Green. PVC/PU. Ø800mm/H=600mm. Temperature -60°C - +70°C Connection ring in stainless steel Aisi 304, c/w 3 off wire guides in nylon.
Guide Cones	Type L - Steel Standard. Steel, H=650mm, pt=2mm.
Outlet	Type F – Flat Outlet with dust skirt for loading in open truck.
Motor Winch	Motor 0.55-2.2 kW, 1400 rpm. Gear box ratio 100:1. Tight and slack wire indication External 3-point wire hoist system with high precision ball bearings and 3 off winch discs vertically fitted. Hoist wires Ø5mm available in steel, stainless steel Aisi316 or Long Life steel quality. Self-lubricating wire rollers in Ertalite TX, alternatively steel/stainless steel with bronze bearing
General info	Max. loading capacity approx. 700 m ³ /hour. Compressed air supply, clean and dry for filter: Connection 5-6 bar. Filter cleaning air consumption 100-150 NL/min. Pressure air connection ½". Metal parts available in painted steel st. 37 or stainless steel Aisi 304. Other steel qualities on demand. Surface treatment St. 37: Iron phosphating, 80 micron coating RAL 9010 pure white. Surface treatment Aisi 304: Acid-washed without any further treatment Motor winch cover in steel - RAL 6005 dark green. Cover on filter RAL 6005 Available with full approval and certificates for location in ATEX zone 21 and 22 (zone 20 inside the chute)

Accessories for loading chute N500 please see separate Data Sheets.

Copyright © The right to alterations is reserved.

MODUFLEX LOADING CHUTE N500

N500			
Outlet type FH			
Cone	Steel		
M	L1	L2	L3
4	3837	1687	2150
5	4442	1757	2685
6	5047	1827	3220
7	5652	1897	3755
8	6257	1967	4290
9	6862	2037	4825
10	7467	2107	5360
11	8072	2177	5895
12	8677	2247	6430
13	9282	2317	6965
14	9887	2387	7500
15	10492	2457	8035
16	11097	2527	8570
17	11702	2597	9105

