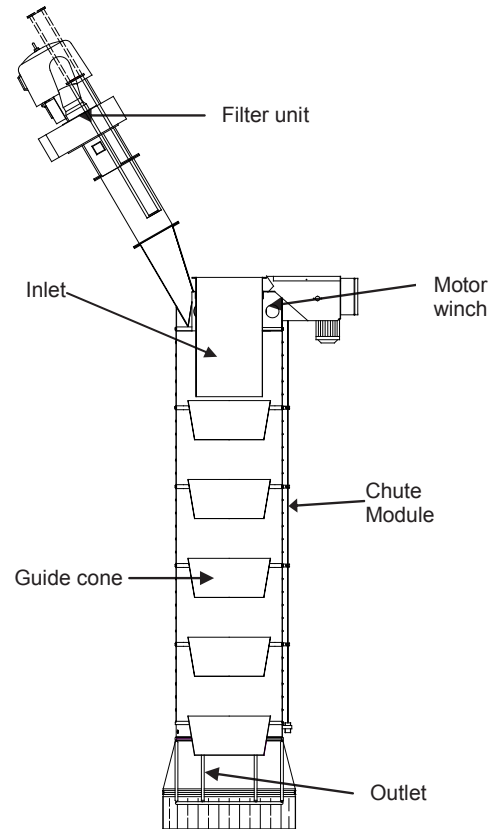


MODUFLEX LOADING CHUTE K500



Technical Information – K500	
Inlet	Cylindrical Inlet tube in 2 mm steel. With Ø500 connection flange. Sidemounted filter module with built-in cartridge filter, pressure tank, magnetic valves etc. 9 off filter cartridges, totals 9 m ² , alternatively 14m ² or 18m ² . Fan with 0,75kW motor. Alternatively 1,5kW mounted at site.
Chute Modules	Type E - Extended: Yellow. PVC/Polyester. Ø800mm/H=600mm. Temperature -35°C - +70°C Type M - Food Grade: Light Grey. PVC/Polyester. Ø800mm/H=600mm. Temperature -30°C - +70°C Type W - Special: Misc. PVC/Polyester. Ø800mm/H=600mm. Temperature -35°C - +70°C Type B - Heavy Duty: Black. Synthetic rubber. Ø800mm/H=600mm. Temperature -40°C - +130°C Type G - Extreme Temperature: Grey. Teflon/Fiber glass. Ø800mm/H=600mm. Temperature -35°C - +260°C Type R-High Temperature: Red. Polyester and fiber/silicone. Ø800mm/H=600mm. Temperature: -40°C - +150°C (peak + 220°C) Type Z - Low temperature: Green. PVC/PU. Ø800mm/H=600mm. Temperature -60° C - +70° C Connection ring in stainless steel Aisi 304, c/w 3 off wire guides in nylon.
Guide Cones	Type J - Steel Standard. Steel, H=300mm, pt=2mm.
Outlet	Type F – Flat Outlet with dust skirt for loading in open truck. Type T for closed loading
Motor Winch	Motor 0.55-2.2 kW, 1400 rpm. Gear box ratio 100:1. Tight and slack wire indication External 3-point wire hoist system with high precision ball bearings and 3 off winch discs vertically fitted. Hoist wires Ø5mm available in steel, stainless steel Aisi316 or Long Life steel quality. Self-lubricating wire rollers in Ertalite TX, alternatively steel/stainless steel with bronze bearing
General info	Max. loading capacity approx. 700 m ³ /hour. Compressed air supply, clean and dry for filter: Connection 5-6 bar. Filter cleaning air consumption 100-150 NL/min. Pressure air connection ½". Metal parts available in painted steel st. 37 or stainless steel Aisi 304. Other steel qualities on demand. Surface treatment St. 37: Iron phosphating, 80 micron coating RAL 9010 pure white. Surface treatment Aisi 304: Acid-washed without any further treatment Motor winch cover in steel - RAL 6005 dark green. Cover on filter RAL 6005 Available with full approval and certificates for location in ATEX zone 21 and 22 (zone 20 inside the chute)

Accessories for loading chute K500 please see separate Data Sheets.

MODUFLEX LOADING CHUTE K500

K500			
	Outlet type FS		
Cone	Steel		
M	L1	L2	L3
4	3625	1485	2140
5	4230	1555	2675
6	4835	1625	3210
7	5440	1695	3745
8	6045	1765	4280
9	6650	1835	4815
10	7255	1905	5350
11	7860	1975	5885
12	8465	2045	6420
13	9070	2115	6955
14	9675	2185	7490
15	10280	2255	8025
16	10885	2325	8560
17	11490	2395	9095

