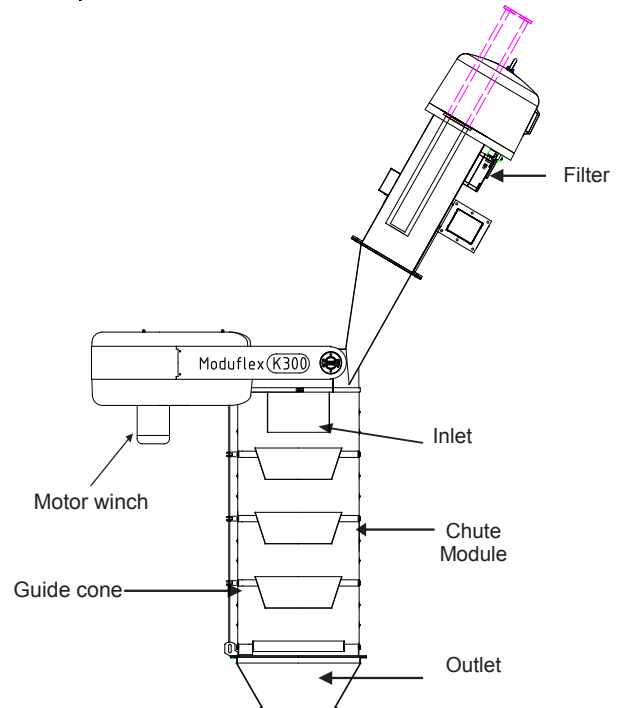


MODUFLEX LOADING CHUTE K300



Technical Information - K300	
Inlet	Cylindrical inlet tube in 2mm steel. Fitting Ø300 PN10 flange (2576B). Mounted with 12 off M20 bolts. Sidemounted filter module with built-in cartridge filter, pressure tank, magnetic valves etc. 9 off filter cartridges, totals 9 m ² , alternatively 14m ² or 18m ² . Fan with 0,75kW motor.
Chute Modules	Type Y - Standard: Yellow. PVC/Polyester. Ø600mm/H=300mm. Temperature -35°C - +70°C Type M - Food Grade: Light Grey. PVC/Polyester. Ø600mm/H=300mm. Temperature -30°C - +70°C Type W - Special: Misc. PVC/Polyester. Ø600mm/H=300mm. Temperature -35°C - +70°C Type B - Heavy Duty: Black. Synthetic rubber. Ø600mm/H=300mm. Temperature -40°C - +130°C Type G - ExtremeTemperature: Grey. Teflon/Fiber glass. Ø600mm/H=300mm. Temperature -35°C - +260°C Type R - High Temperature: Red. Polyester and fiber/silicone rubber. Ø600/H=300. Temp. -40°C - +150°C (peak +220°C) Type Z - Low temperature: Green. PVC/PU. Ø600mm/H=300mm. Temperature -60° C - +70° C. Connection ring in stainless steel Aisi 304, c/w 3 off wire guides in nylon.
Guide Cones	Type O - Support ring. Steel, H=30mm Type U - Ultramid. Polyamide 6.6. H=150mm, pt=6mm. Type J - Steel Standard. Steel, H=150mm, pt=2mm.
Outlet	Type T – Tank Outlet with steel cone for loading in tanker truck. Type F – Flat Outlet with dust skirt for loading in open truck. Type M – Multi Outlet with steel cone and dust skirt for loading in tanker truck and open truck.
Motor Winch	Motor 0.55-2.2 kW, 1400 rpm. Gear box ratio 100:1. Tight and slack wire indication External 3-point wire hoist system with high precision ball bearings and 3 off winch discs vertically fitted. Hoist wires Ø5mm available in steel, stainless steel Aisi316 or Long Life steel quality. Self-lubricating wire rollers in Ertalite TX, alternatively steel/stainless steel with bronze bearing
General info	Max. loading capacity approx. 250 m ³ /hour. Compressed air supply, clean and dry for filter: Connection 5-6 bar. Filter cleaning air consumption 100-150 NL/min. Pressure air connection ½". Metal parts available in painted steel st. 37 or stainless steel Aisi 304. Other steel qualities on demand. Surface treatment St. 37: Iron phosphating, 80 micron coating RAL 9010 pure white. Surface treatment Aisi 304: Acid-washed without any further treatment Motor winch covers in ABS - RAL 6005 dark green. Cover on filter RAL 6005 Available with full approval and certificates for location in ATEX zone 21 and 22 (zone 20 inside the chute)

Accessories for Loading Chute K300 please see separate Data Sheets.

MODUFLEX LOADING CHUTE K300

K300																		
Cone	Outlet type TS						Outlet type FS						Outlet type MS					
	Ultramid			Steel/Support ring			Ultramid			Steel/Support ring			Ultramid			Steel/Support ring		
M	L1	L2	L3	L1	L2	L3	L1	L2	L3	L1	L2	L3	L1	L2	L3	L1	L2	L3
1	795	533	262	795	533	262	810	548	262	810	548	262						
2	1102	569	533	1102	578	524	1117	584	533	1117	593	524						
3	1409	605	804	1409	623	786	1424	620	804	1424	638	786						
4	1716	641	1075	1716	668	1048	1731	656	1075	1731	683	1048						
5	2023	677	1346	2023	713	1310	2038	692	1346	2038	728	1310						
6	2330	713	1617	2330	758	1572	2345	728	1617	2345	773	1572	2630	1013	1617	2630	1058	1572
7	2637	749	1888	2637	803	1834	2652	764	1888	2652	818	1834	2937	1049	1888	2937	1103	1834
8	2944	785	2159	2944	848	2096	2959	800	2159	2959	863	2096	3244	1085	2159	3244	1148	2096
9	3251	821	2430	3251	893	2358	3266	836	2430	3266	908	2358	3551	1121	2430	3551	1193	2358
10	3558	857	2701	3558	938	2620	3573	872	2701	3573	953	2620	3858	1157	2701	3858	1238	2620
11	3865	893	2972	3865	983	2882	3880	908	2972	3880	998	2882	4165	1193	2972	4165	1283	2882
12	4172	929	3243	4172	1028	3144	4187	944	3243	4187	1043	3144	4472	1229	3243	4472	1328	3144
13	4479	965	3514	4479	1073	3406	4494	980	3514	4494	1088	3406	4779	1265	3514	4779	1373	3406
14	4786	1001	3785	4786	1118	3668	4801	1016	3785	4801	1133	3668	5086	1301	3785	5086	1418	3668
15	5093	1037	4056	5093	1163	3930	5108	1052	4056	5108	1178	3930	5393	1337	4056	5393	1463	3930
16	5400	1073	4327	5400	1208	4192	5415	1088	4327	5415	1223	4192	5700	1373	4327	5700	1508	4192
17	5707	1109	4598	5707	1253	4454	5722	1124	4598	5722	1268	4454	6007	1409	4598	6007	1553	4454
18	6014	1145	4869	6014	1298	4716	6029	1160	4869	6029	1313	4716	6314	1445	4869	6314	1598	4716
19	6321	1181	5140	6321	1343	4978	6336	1196	5140	6336	1358	4978	6621	1481	5140	6621	1643	4978
20	6628	1217	5411	6628	1388	5240	6643	1232	5411	6643	1403	5240	6928	1517	5411	6928	1688	5240
21	6935	1253	5682	6935	1433	5502	6950	1268	5682	6950	1448	5502	7235	1553	5682	7235	1733	5502
22	7242	1289	5953	7242	1478	5764	7257	1304	5953	7257	1493	5764	7542	1589	5953	7542	1778	5764
23	7549	1325	6224	7549	1523	6026	7564	1340	6224	7564	1538	6026	7849	1625	6224	7849	1823	6026
24	7856	1361	6495	7856	1568	6288	7871	1376	6495	7871	1583	6288	8156	1661	6495	8156	1868	6288
25	8163	1397	6766	8163	1613	6550	8178	1412	6766	8178	1628	6550	8463	1697	6766	8463	1913	6550
26	8470	1433	7037	8470	1658	6812	8485	1448	7037	8485	1673	6812	8770	1733	7037	8770	1958	6812
27	8777	1469	7308	8777	1703	7074	8792	1484	7308	8792	1718	7074	9077	1769	7308	9077	2003	7074
28	9084	1505	7579	9084	1748	7336	9099	1520	7579	9099	1763	7336	9384	1805	7579	9384	2048	7336
29	9391	1541	7850	9391	1793	7598	9406	1556	7850	9406	1808	7598	9691	1841	7850	9691	2093	7598
30	9698	1577	8121	9698	1838	7860	9713	1592	8121	9713	1853	7860	9998	1877	8121	9998	2138	7860
31	10005	1613	8392	10005	1883	8122	10020	1628	8392	10020	1898	8122	10305	1913	8392	10305	2183	8122
32	10312	1649	8663	10312	1928	8384	10327	1664	8663	10327	1943	8384	10612	1949	8663	10612	2228	8384
33	10619	1685	8934	10619	1973	8646	10634	1700	8934	10634	1988	8646	10919	1985	8934	10919	2273	8646
34	10926	1721	9205	10926	2018	8908	10941	1736	9205	10941	2033	8908	11226	2021	9205	11226	2318	8908
35	11233	1757	9476	11233	2063	9170	11248	1772	9476	11248	2078	9170	11533	2057	9476	11533	2363	9170

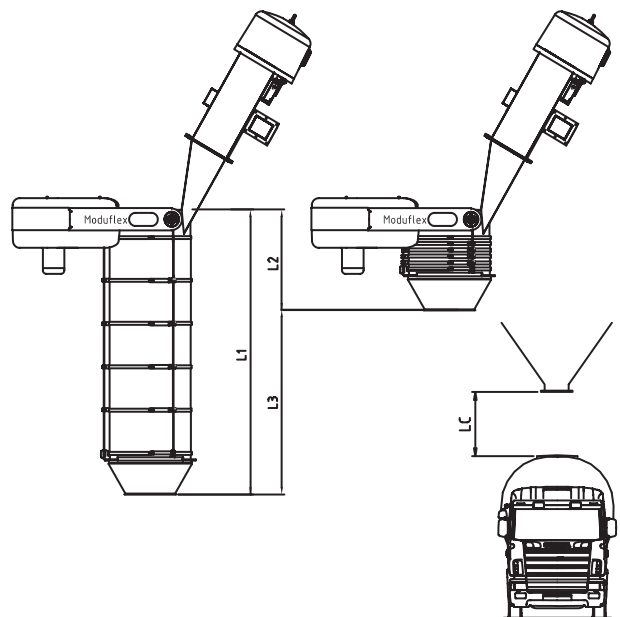
MODUFLEX LOADING CHUTE K300

K300 with FlexClose - no indicator							
Cone		Ultramid			Steel/support ring		
Indicator		None			None		
M	LC	L1	L2	L3	L1	L2	L3
2	1186	1456	928	528	1456	937	519
3	1493	1763	964	799	1763	982	781
4	1800	2070	1000	1070	2070	1027	1043
5	2107	2377	1036	1341	2377	1072	1305
6	2414	2684	1072	1612	2684	1117	1567
7	2721	2991	1108	1883	2991	1162	1829
8	3028	3298	1144	2154	3298	1207	2091
9	3335	3605	1180	2425	3605	1252	2353
10	3642	3912	1216	2696	3912	1297	2615

K300 with FlexClose and FlexSeal no indicator							
Cone		Ultramid			Steel/support ring		
Indicator		None			None		
M	LC	L1	L2	L3	L1	L2	L3
2	1186	1456	958	498	1456	967	489
3	1493	1763	994	769	1763	1012	751
4	1800	2070	1030	1040	2070	1057	1013
5	2107	2377	1066	1311	2377	1102	1275
6	2414	2684	1102	1582	2684	1147	1537
7	2721	2991	1138	1853	2991	1192	1799
8	3028	3298	1174	2124	3298	1237	2061
9	3335	3605	1210	2395	3605	1282	2323
10	3642	3912	1246	2666	3912	1327	2585

K300 with FlexClose - with/without FlexSeal + indicator													
Cone		Ultramid			Steel/support ring			Ultramid			Steel/support ring		
Indicator		Rotating/Capacitive			Rotating/Capacitive			Vibration rod			Vibration rod		
M	LC	L1	L2	L3	L1	L2	L3	L1	L2	L3	L1	L2	L3
2	1186	1616	1088	528	1616	1097	519	1686	1158	528	1686	1167	519
3	1493	1923	1124	799	1923	1142	781	1993	1194	799	1993	1212	781
4	1800	2230	1160	1070	2230	1187	1043	2300	1230	1070	2300	1257	1043
5	2107	2537	1196	1341	2537	1232	1305	2607	1266	1341	2607	1302	1305
6	2414	2844	1232	1612	2844	1277	1567	2914	1302	1612	2914	1347	1567
7	2721	3151	1268	1883	3151	1322	1829	3221	1338	1883	3221	1392	1829
8	3028	3458	1304	2154	3458	1367	2091	3528	1374	2154	3528	1437	2091
9	3335	3765	1340	2425	3765	1412	2353	3835	1410	2425	3835	1482	2353
10	3642	4072	1376	2696	4072	1457	2615	4142	1446	2696	4142	1527	2615

K300 with FlexFill							
Cone		Ultramid			Steel/support ring		
M	LC	L1	L2	L3	L1	L2	L3
3	1683	1987	1183	804	1987	1201	786
4	1990	2294	1219	1075	2294	1246	1048
5	2297	2601	1255	1346	2601	1291	1310
6	2604	2908	1291	1617	2908	1336	1572
7	2911	3215	1327	1888	3215	1381	1834
8	3218	3522	1363	2159	3522	1426	2096
9	3525	3829	1399	2430	3829	1471	2358
10	3832	4136	1435	2701	4136	1516	2620



LC measure to be used when the loading chute is fitted with FlexClose or FlexFill.