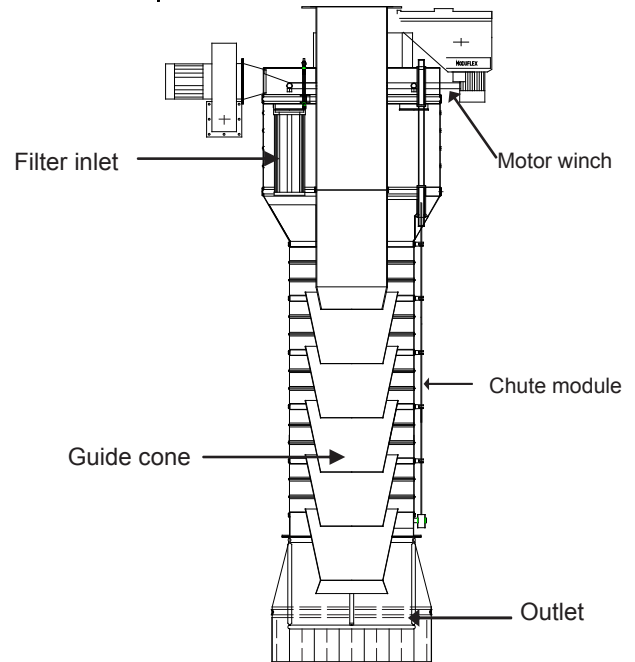


MODUFLEX LOADING CHUTE HDF400



Technical Information – HDF400	
Filter Inlet	Cylindrical/conical inlet tube in 4 mm steel. Fitting Ø400 PN10 flange (2576B). For 16 off M24 bolts. Filter module with built-in cartridge filter, pressure tank, magnetic valves etc. 9 off filter cartridges, totals 13,5 m ² c/w jubilee clip. Fan with 1,1kW motor and air regulator. Fan connection Ø200 with flange.
Chute Modules	Type Y - Standard: Yellow. PVC/Polyester. Ø700/H=300mm Temperature -35°C - +70°C Type M - Food Grade: Light Grey. PVC/Polyester. Ø700/H=300mm Temperature -30°C - +70°C Type W - Special: Misc. PVC/Polyester. Ø700/H=300mm Temperature -35°C - +70°C Type B - Heavy Duty: Black. Synthetic rubber. Ø700/H=300mm. Temperature -40°C - +130°C Type G - Extreme Temperature: Grey. Teflon/Fiber glass. Ø700/H=300mm. Temperature +35°C - +70°C. Type R - High temperature: Red. Polyester and fiber/silicone rubber. Ø700/H=300mm. Temp. -40°C - +150°C (peak +220°C) Type Z - Low temperature: Green. PVC/PU. Ø700mm/H=300mm. Temperature -60° C - +70° C Connection ring in stainless steel Aisi 304, c/w 3 off wire guides in nylon.
Guide Cones	Type O - Support ring. Steel, H=30mm Type J - Steel Standard. Steel, H150mm, pt=2mm. Type L - Steel Overlapping, Steel, H405mm, pt=2mm.
Outlet	Type T – Tank Outlet with steel cone for loading in tanker truck. Type F – Flat Outlet with dust skirt for loading in open truck. Type M – Multi Outlet with steel cone and dust skirt for loading in tanker truck and open truck.
Motor Winch	Motor 0.55kW-2.2 kW, 1400 rpm. Gear box ratio 100:1. Tight and slack wire indication External 3-point wire hoist system with high precision ball bearings and 3 off winch discs vertically fitted. Hoist wires Ø5mm available in steel, stainless steel Aisi316 or Long Life steel quality. Self-lubricating wire rollers in Ertalite TX, alternatively steel/stainless steel with bronze bearing
General info	Max. loading capacity approx. 440 m ³ /hour. Compressed air supply, filter: Connection 3-4 bar. Filter cleaning air consumption 100-500 NL/min. Metal parts available in painted steel st. 37 or stainless steel Aisi 304. Other steel qualities on demand. Surface treatment St. 37: Iron phosphating, 80 micron coating RAL 9010 pure white. Surface treatment Aisi 304: Acid-washed without any further treatment Motor winch covers in steel Available with full approval and certificates for location in ATEX zone 21 and 22 (zone 20 inside the chute)

Accessories for loading chute HDF400 please see separate Data Sheets.

MODUFLEX LOADING CHUTE HDF400

HDF400 Short Cones									
Cone	Outlet type T			Outlet type F			Outlet type M		
	Steel			Steel			Steel		
M	L1	L2	L3	L1	L2	L3	L1	L2	L3
1	1945	1683	262	1959	1697	262			
2	2252	1728	524	2266	1742	524			
3	2559	1773	786	2573	1787	786			
4	2866	1818	1048	2880	1832	1048			
5	3173	1863	1310	3187	1877	1310			
6	3480	1908	1572	3494	1922	1572	3779	2207	1572
7	3787	1953	1834	3801	1967	1834	4086	2252	1834
8	4094	1998	2096	4108	2012	2096	4393	2297	2096
9	4401	2043	2358	4415	2057	2358	4700	2342	2358
10	4708	2088	2620	4722	2102	2620	5007	2387	2620
11	5015	2133	2882	5029	2147	2882	5314	2432	2882
12	5322	2178	3144	5336	2192	3144	5621	2477	3144
13	5629	2223	3406	5643	2237	3406	5928	2522	3406
14	5936	2268	3668	5950	2282	3668	6235	2567	3668
15	6243	2313	3930	6257	2327	3930	6542	2612	3930
16	6550	2358	4192	6564	2372	4192	6849	2657	4192
17	6857	2403	4454	6871	2417	4454	7156	2702	4454
18	7164	2448	4716	7178	2462	4716	7463	2747	4716
19	7471	2493	4978	7485	2507	4978	7770	2792	4978
20	7778	2538	5240	7792	2552	5240	8077	2837	5240
21	8085	2583	5502	8099	2597	5502	8384	2882	5502
22	8392	2628	5764	8406	2642	5764	8691	2927	5764
23	8699	2673	6026	8713	2687	6026	8998	2972	6026
24	9006	2718	6288	9020	2732	6288	9305	3017	6288
25	9313	2763	6550	9327	2777	6550	9612	3062	6550

HDF400 Long Cones									
Cone	Outlet type T			Outlet type F			Outlet type M		
	Overlapping steel			Overlapping steel			Overlapping steel		
M	L1	L2	L3	L1	L2	L3	L1	L2	L3
1	2097	1840	257	2483	2226	257			
2	2404	1890	514	2790	2276	514			
3	2711	1940	771	3097	2326	771			
4	3018	1990	1028	3404	2376	1028			
5	3325	2040	1285	3711	2426	1285			
6	3632	2090	1542	4018	2476	1542	4018	2476	1542
7	3939	2140	1799	4325	2526	1799	4325	2526	1799
8	4246	2190	2056	4632	2576	2056	4632	2576	2056
9	4553	2240	2313	4939	2626	2313	4939	2626	2313
10	4860	2290	2570	5246	2676	2570	5246	2676	2570
11	5167	2340	2827	5553	2726	2827	5553	2726	2827
12	5474	2390	3084	5860	2776	3084	5860	2776	3084
13	5781	2440	3341	6167	2826	3341	6167	2826	3341
14	6088	2490	3598	6474	2876	3598	6474	2876	3598
15	6395	2540	3855	6781	2926	3855	6781	2926	3855
16	6702	2590	4112	7088	2976	4112	7088	2976	4112
17	7009	2640	4369	7395	3026	4369	7395	3026	4369
18	7316	2690	4626	7702	3076	4626	7702	3076	4626
19	7623	2740	4883	8009	3126	4883	8009	3126	4883
20	7930	2790	5140	8316	3176	5140	8316	3176	5140

MODUFLEX LOADING CHUTE HDF400

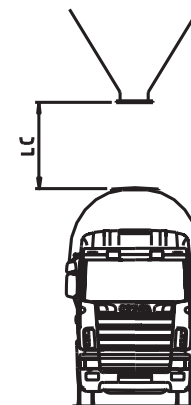
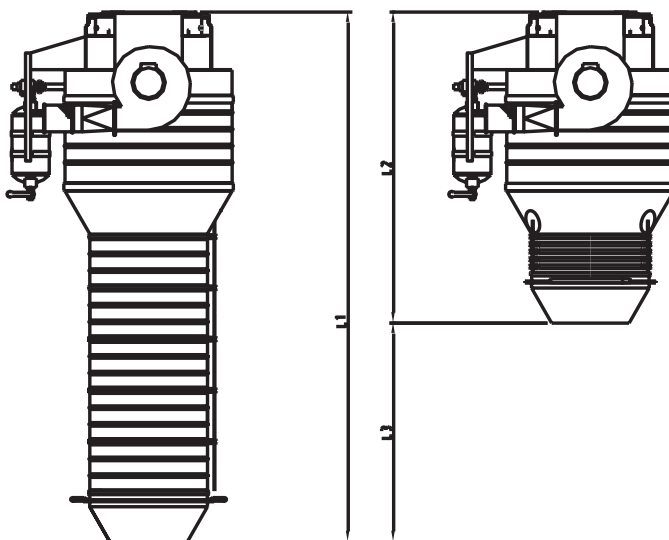
HDF400 short cones + FlexClose + indicator							
Rotating+ capacitive indicator					Vibrationrod		
M	LC	L1	L2	L3	L1	L2	L3
2	2346	2816	2297	519	2886	2367	519
3	2653	3123	2342	781	3193	2412	781
4	2960	3430	2387	1043	3500	2457	1043
5	3267	3737	2432	1305	3807	2502	1305
6	3574	4044	2477	1567	4114	2547	1567
7	3881	4351	2522	1829	4421	2592	1829
8	4188	4658	2567	2091	4728	2637	2091
9	4495	4965	2612	2353	5035	2682	2353
10	4802	5272	2657	2615	5342	2727	2615

HDF400 with short cones with FlexClose no indicator				
M	LC	L1	L2	L3
2	2346	2656	2137	519
3	2653	2963	2182	781
4	2960	3270	2227	1043
5	3267	3577	2272	1305
6	3574	3884	2317	1567
7	3881	4191	2362	1829
8	4188	4498	2407	2091
9	4495	4805	2452	2353
10	4802	5112	2497	2615

HDF400 with long cones with FlexClose no indicator				
M	LC	L1	L2	L3
2	2346	2656	2142	514
3	2653	2963	2192	771
4	2960	3270	2242	1028
5	3267	3577	2292	1285
6	3574	3884	2342	1542
7	3881	4191	2392	1799
8	4188	4498	2442	2056
9	4495	4805	2492	2313
10	4802	5112	2542	2570

HDF400 long cones + FlexClose + indicator							
Rotating+ capacitive indicator					Vibration rod		
M	LC	L1	L2	L3	L1	L2	L3
2	2346	2816	2302	514	2886	2372	514
3	2653	3123	2352	771	3193	2422	771
4	2960	3430	2402	1028	3500	2472	1028
5	3267	3737	2452	1285	3807	2522	1285
6	3574	4044	2502	1542	4114	2572	1542
7	3881	4351	2552	1799	4421	2622	1799
8	4188	4658	2602	2056	4728	2672	2056
9	4495	4965	2652	2313	5035	2722	2313
10	4802	5272	2702	2570	5342	2772	2570

HDF400 with FlexFill								
	short cones				long cones			
M	LC	L1	L2	L3	LC	L1	L2	L3
3	2934	3253	2467	786	2934	3253	2685	568
4	3241	3560	2512	1048	3241	3560	2735	825
5	3548	3867	2557	1310	3548	3867	2785	1082
6	3855	4174	2602	1572	3855	4174	2835	1339
7	4162	4481	2647	1834	4162	4481	2885	1596
8	4469	4788	2692	2096	4469	4788	2935	1853
9	4776	5095	2737	2358	4776	5095	2985	2110
10	5083	5402	2782	2620	5083	5402	3035	2367



LC measure to be used when the loading chute is fitted with FlexClose or FlexFill.