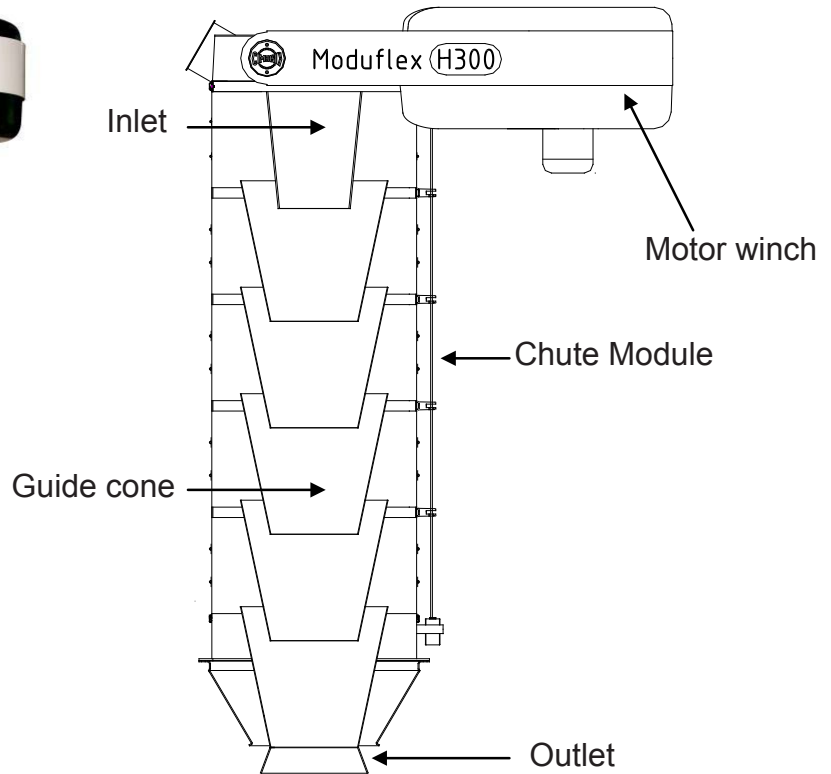


# MODUFLEX LOADING CHUTE H300



Technical Information - H300	
<b>Inlet</b>	Conical Inlet tube in 4 mm steel. Fitting Ø300 PN10 flange (2576B). Mounted with 12 off M20 bolts. Exhaust connection Ø150, optionally with automatic closing function.
<b>Chute Modules</b>	Type Y - Standard: Yellow. PVC/Polyester. Ø600mm/H=300mm. Temperature -35°C - +70°C Type M - Food Grade: Light Grey. PVC/Polyester. Ø600mm/H=300mm. Temperature -30°C - +70°C Type W - Special: Misc. PVC/Polyester. Ø600mm/H=300mm. Temperature -35°C - +70°C Type B - Heavy Duty: Black. Synthetic rubber. Ø600mm/H=300mm. Temperature -40°C - +130°C Type G - Extreme Temperature: Grey. Teflon/Fiber glass. Ø600mm/H=300mm. Temperature -35°C - +260°C Type R - High temperature: Red. Polyester and fiber/silicone rubber. Ø600/H=300mm. Temp. -40°C - +150°C (peak +220°C) Type Z - Low temperature: Green. PVC/PU. Ø600mm/H=300mm. Temperature -60° C - +70° C Connection ring in stainless steel Aisi 304, c/w 3 off wire guides in nylon.
<b>Guide Cones</b>	Type O - Support ring. Steel, H=30mm Type U - Ultramid. Polyamide 6.6. H=150mm, pt=6mm. Type J - Steel Standard. Steel, H=150mm, pt=2mm. Type L - Steel Overlapping. Steel, H=405mm, pt=2mm.
<b>Outlet</b>	Type T – Tank Outlet with steel cone for loading in tanker truck. Type F – Flat Outlet with dust skirt for loading in open truck. Type M – Multi Outlet with steel cone and dust skirt for loading in tanker truck and open truck.
<b>Motor Winch</b>	Motor 0.55-2.2 kW, 1400 rpm. Gear box ratio 100:1. Tight and slack wire indication External 3-point wire hoist system with high precision ball bearings and 3 off winch discs vertically fitted. Hoist wires Ø5mm available in steel, stainless steel Aisi316 or Long Life steel quality. Self-lubricating wire rollers in Ertalite TX, alternatively steel/stainless steel with bronze bearing
<b>General info</b>	Max. loading capacity approx. 250 m <sup>3</sup> /hour. Recommended connecting value for aspiration 1200 m <sup>3</sup> /hour 100 Pa. Metal parts available in painted steel st. 37 or stainless steel Aisi 304. Other steel qualities on demand. Surface treatment St. 37: Iron phosphating, 80 micron coating RAL 9010 pure white. Surface treatment Aisi 304: Acid-washed without any further treatment Motor winch covers in ABS - RAL 6005 dark green Available with full approval and certificates for location in ATEX zone 21 and 22 (zone 20 inside the chute)

Accessories for loading chute H300 please see separate Data Sheets.

# MODUFLEX LOADING CHUTE H300

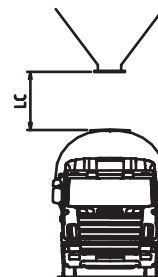
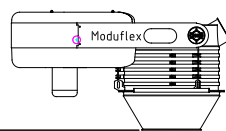
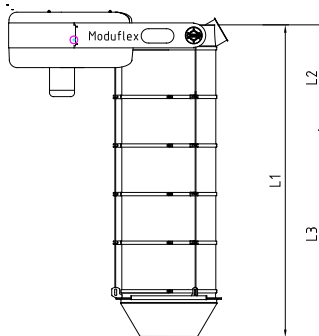
H300									
	Outlet type TH			Outlet type FH			Outlet type MH		
Cone	Overlapping steel			Overlapping steel			Overlapping steel		
M	L1	L2	L3	L1	L2	L3	L1	L2	L3
1	900	643	257	1222	965	257			
2	1207	693	514	1529	1015	514			
3	1514	743	771	1836	1065	771			
4	1821	793	1028	2143	1115	1028			
5	2128	843	1285	2450	1165	1285			
6	2435	893	1542	2757	1215	1542	2757	1215	1542
7	2742	943	1799	3064	1265	1799	3064	1265	1799
8	3049	993	2056	3371	1315	2056	3371	1315	2056
9	3356	1043	2313	3678	1365	2313	3678	1365	2313
10	3663	1093	2570	3985	1415	2570	3985	1415	2570
11	3970	1143	2827	4292	1465	2827	4292	1465	2827
12	4277	1193	3084	4599	1515	3084	4599	1515	3084
13	4584	1243	3341	4906	1565	3341	4906	1565	3341
14	4891	1293	3598	5213	1615	3598	5213	1615	3598
15	5198	1343	3855	5520	1665	3855	5520	1665	3855
16	5505	1393	4112	5827	1715	4112	5827	1715	4112
17	5812	1443	4369	6134	1765	4369	6134	1765	4369
18	6119	1493	4626	6441	1815	4626	6441	1815	4626
19	6426	1543	4883	6748	1865	4883	6748	1865	4883
20	6733	1593	5140	7055	1915	5140	7055	1915	5140

H300 with FlexFill				
Cone	LC	L1	L2	L3
3	1942	2246	1412	834
4	2249	2553	1462	1091
5	2556	2860	1512	1348
6	2863	3167	1562	1605
7	3170	3474	1612	1862
8	3477	3781	1662	2119
9	3784	4088	1712	2376
10	4091	4395	1762	2633

H300 with FlexClose - no indicator				
Cone	Overlapping steel			
Indicator	None			
M	LC	L1	L2	L3
2	1138	1408	894	514
3	1445	1715	944	771
4	1752	2022	994	1028
5	2059	2329	1044	1285
6	2366	2636	1094	1542
7	2673	2943	1144	1799
8	2980	3250	1194	2056
9	3287	3557	1244	2313
10	3594	3864	1294	2570

H300 with FlexClose and FlexSeal - no indicator				
Cone	Overlapping steel			
Indicator	None			
M	LC	L1	L2	L3
2	1138	1408	924	484
3	1445	1715	974	741
4	1752	2022	1024	998
5	2059	2329	1074	1255
6	2366	2636	1124	1512
7	2673	2943	1174	1769
8	2980	3250	1224	2026
9	3287	3557	1274	2283
10	3594	3864	1324	2540

H300 with FlexClose with/without FlexSeal - with indicator							
Cone	Overlapping steel			Overlapping steel			
Indicator	Rotating/Capacitive			Vibration rod			
M	LC	L1	L2	L3	L1	L2	L3
2	1138	1568	1054	514	1638	1124	514
3	1445	1875	1104	771	1945	1174	771
4	1752	2182	1154	1028	2252	1224	1028
5	2059	2489	1204	1285	2559	1274	1285
6	2366	2796	1254	1542	2866	1324	1542
7	2673	3103	1304	1799	3173	1374	1799
8	2980	3410	1354	2056	3480	1424	2056
9	3287	3717	1404	2313	3787	1474	2313
10	3594	4024	1454	2570	4094	1524	2570



LC measure to be used when the loading chute is fitted with FlexClose or FlexFill.