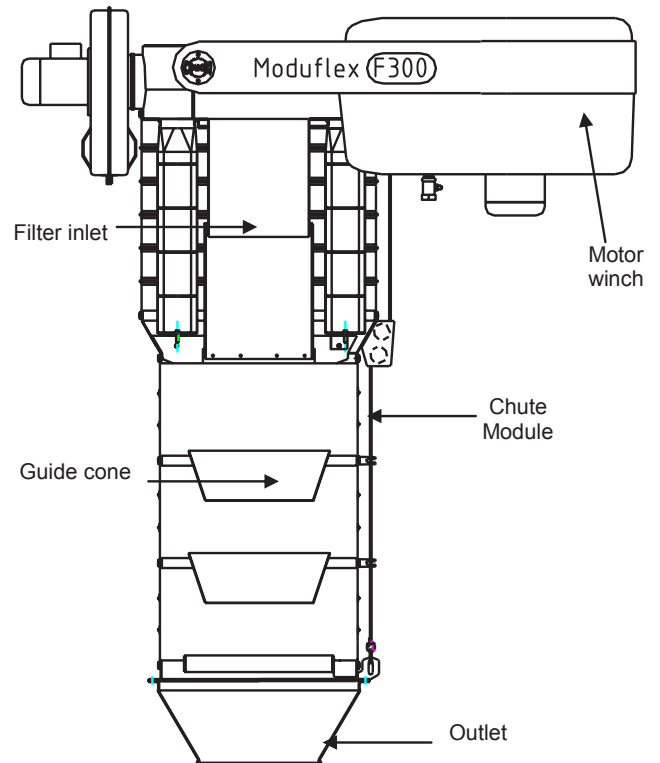


MODUFLEX LOADING CHUTE F300

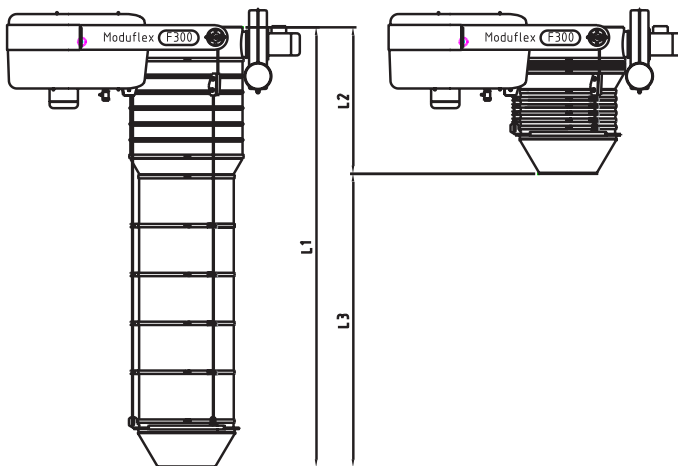


Technical Information – F300	
Filter Inlet	Cylindrical/telescopically inlet tube in 2 mm steel. Fitting Ø300 PN10 flange (2576B). Mounted with 12 off M20 bolts. Retractable filter module with built-in bag filter, pressure tank, magnetic valves etc. 9 off filter bags, totals 2.5 m ² c/w support rings and jubilee clip. Fan with 0,75kW motor and air regulator. Fan connection Ø160.
Chute Modules	Type Y - Standard: Yellow. PVC/Polyester. Ø600mm/H=300mm. Temperature -35°C - +70°C Type M - Food Grade: Light Grey. PVC/Polyester. Ø600mm/H=300mm. Temperature -30°C - +70°C Type W - Special: Misc. PVC/Polyester. Ø600mm/H=300mm. Temperature -35°C - +70°C Type B - Heavy Duty: Black. Synthetic rubber. Ø600mm/H=300mm. Temperature -40°C - +130°C Type G - Extreme Temperature: Grey. Teflon/Fiber glass. Ø600mm/H=300mm. Type R - High temperature: Red. Polyester and fiber/silicone rubber. Ø600/H=300mm. Temp. -40°C - +150°C (peak +220°C) Type Z - Low temperature: Green. PVC/PU. Ø600mm/H=300mm. Temperature -60° C - +70° C. Connection ring in stainless steel Aisi 304, c/w 3 off wire guides in nylon.
Guide Cones	Type O - Support ring. Steel, H=30mm Type U - Ultramid. Polyamide 6.6. H=150mm, pt=6mm. Type J - Steel Standard. Steel, H=150mm, pt=2mm.
Outlet	Type T – Tank Outlet with steel cone for loading in tanker truck. Type F – Flat Outlet with dust skirt for loading in open truck. Type M – Multi Outlet with steel cone and dust skirt for loading in tanker truck and open truck.
Motor Winch	Motor 0.55-2.2 kW, 1400 rpm. Gear box ratio 100:1. Tight and slack wire indication External 3-point wire hoist system with high precision ball bearings and 3 off winch discs vertically fitted. Hoist wires Ø5mm available in steel, stainless steel Aisi316 or Long Life steel quality. Self-lubricating wire rollers in Ertalite TX, alternatively steel/stainless steel with bronze bearing
General info	Max. loading capacity approx. 250 m ³ /hour. Compressed air supply, filter: Connection 6-8 bar. Filter cleaning air consumption 70-280 NL/min. Metal parts available in painted steel st. 37 or stainless steel Aisi 304. Other steel qualities on demand. Surface treatment St. 37: Iron phosphating, 80 micron coating RAL 9010 pure white. Surface treatment Aisi 304: Acid-washed without any further treatment Motor winch covers in ABS - RAL 6005 dark green Available with full approval and certificates for location in ATEX zone 21 and 22 (zone 20 inside the chute)

Accessories for loading chute F300 please see separate Data Sheets.

MODUFLEX LOADING CHUTE F300

F300																		
Cone	Outlet type TS						Outlet type FS						Outlet type MS					
	Ultramid			Steel			Ultramid			Steel			Ultramid			Steel		
M	L1	L2	L3	L1	L2	L3	L1	L2	L3	L1	L2	L3	L1	L2	L3	L1	L2	L3
2	1845	780	1065	1845	789	1056	1860	795	1065	1860	804	1056						
3	2152	816	1336	2152	834	1318	2167	831	1336	2167	849	1318						
4	2459	852	1607	2459	879	1580	2474	867	1607	2474	894	1580	2759	1152	1607	2759	1179	1580
5	2766	888	1878	2766	924	1842	2781	903	1878	2781	939	1842	3066	1188	1878	3066	1224	1842
6	3073	924	2149	3073	969	2104	3088	939	2149	3088	984	2104	3373	1224	2149	3373	1269	2104
7	3380	960	2420	3380	1014	2366	3395	975	2420	3395	1029	2366	3680	1260	2420	3680	1314	2366
8	3687	996	2691	3687	1059	2628	3702	1011	2691	3702	1074	2628	3987	1296	2691	3987	1359	2628
9	3994	1032	2962	3994	1104	2890	4009	1047	2962	4009	1119	2890	4294	1332	2962	4294	1404	2890
10	4301	1068	3233	4301	1149	3152	4316	1083	3233	4316	1164	3152	4601	1368	3233	4601	1449	3152
11	4608	1104	3504	4608	1194	3414	4623	1119	3504	4623	1209	3414	4908	1404	3504	4908	1494	3414
12	4915	1140	3775	4915	1239	3676	4930	1155	3775	4930	1254	3676	5215	1440	3775	5215	1539	3676
13	5222	1176	4046	5222	1284	3938	5237	1191	4046	5237	1299	3938	5522	1476	4046	5522	1584	3938
14	5529	1212	4317	5529	1329	4200	5544	1227	4317	5544	1344	4200	5829	1512	4317	5829	1629	4200
15	5836	1248	4588	5836	1374	4462	5851	1263	4588	5851	1389	4462	6136	1548	4588	6136	1674	4462
16	6143	1284	4859	6143	1419	4724	6158	1299	4859	6158	1434	4724	6443	1584	4859	6443	1719	4724
17	6450	1320	5130	6450	1464	4986	6465	1335	5130	6465	1479	4986	6750	1620	5130	6750	1764	4986
18	6757	1356	5401	6757	1509	5248	6772	1371	5401	6772	1524	5248	7057	1656	5401	7057	1809	5248
19	7064	1392	5672	7064	1554	5510	7079	1407	5672	7079	1569	5510	7364	1692	5672	7364	1854	5510
20	7371	1428	5943	7371	1599	5772	7386	1443	5943	7386	1614	5772	7671	1728	5943	7671	1899	5772
21	7678	1464	6214	7678	1644	6034	7693	1479	6214	7693	1659	6034	7978	1764	6214	7978	1944	6034
22	7985	1500	6485	7985	1689	6296	8000	1515	6485	8000	1704	6296	8285	1800	6485	8285	1989	6296
23	8292	1536	6756	8292	1734	6558	8307	1551	6756	8307	1749	6558	8592	1836	6756	8592	2034	6558
24	8599	1572	7027	8599	1779	6820	8614	1587	7027	8614	1794	6820	8899	1872	7027	8899	2079	6820
25	8906	1608	7298	8906	1824	7082	8921	1623	7298	8921	1839	7082	9206	1908	7298	9206	2124	7082



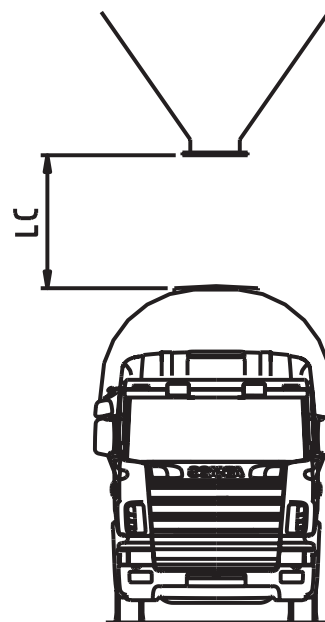
MODUFLEX LOADING CHUTE F300

F300 with FlexClose no indicator							
Cone		Ultramid			Steel/Support ring		
Indicator		None			None		
M	LC	L1	L2	L3	L1	L2	L3
1	1622	1892	1103	789	1892	1103	789
2	1929	2199	1139	1060	2199	1148	1051
3	2236	2506	1175	1331	2506	1193	1313
4	2543	2813	1211	1602	2813	1238	1575
5	2850	3120	1247	1873	3120	1283	1837
6	3157	3427	1283	2144	3427	1328	2099
7	3464	3734	1319	2415	3734	1373	2361
8	3771	4041	1355	2686	4041	1418	2623
9	4078	4348	1391	2957	4348	1463	2885
10	4385	4655	1427	3228	4655	1508	3147

F300 with FlexClose and FlexSeal no indicator							
Cone		Ultramid			Steel/Support ring		
Indicator		None			None		
M	LC	L1	L2	L3	L1	L2	L3
1	1622	1892	1133	759	1892	1133	759
2	1929	2199	1169	1030	2199	1178	1021
3	2236	2506	1205	1301	2506	1223	1283
4	2543	2813	1241	1572	2813	1268	1545
5	2850	3120	1277	1843	3120	1313	1807
6	3157	3427	1313	2114	3427	1358	2069
7	3464	3734	1349	2385	3734	1403	2331
8	3771	4041	1385	2656	4041	1448	2593
9	4078	4348	1421	2927	4348	1493	2855
10	4385	4655	1457	3198	4655	1538	3117

F300 with FlexClose - with/without FlexSeal + indicator													
Cone		Ultramid			Steel/Support ring			Ultramid			Steel/Support ring		
Indicator		Rotating/Capacitive			Rotating/Capacitive			Vibration rod			Vibration rod		
M	LC	L1	L2	L3	L1	L2	L3	L1	L2	L3	L1	L2	L3
1	1622	2052	1263	789	2052	1263	789	2122	1333	789	2122	1333	789
2	1929	2359	1299	1060	2359	1308	1051	2429	1369	1060	2429	1378	1051
3	2236	2666	1335	1331	2666	1353	1313	2736	1405	1331	2736	1423	1313
4	2543	2973	1371	1602	2973	1398	1575	3043	1441	1602	3043	1468	1575
5	2850	3280	1407	1873	3280	1443	1837	3350	1477	1873	3350	1513	1837
6	3157	3587	1443	2144	3587	1488	2099	3657	1513	2144	3657	1558	2099
7	3464	3894	1479	2415	3894	1533	2361	3964	1549	2415	3964	1603	2361
8	3771	4201	1515	2686	4201	1578	2623	4271	1585	2686	4271	1648	2623
9	4078	4508	1551	2957	4508	1623	2885	4578	1621	2957	4578	1693	2885
10	4385	4815	1587	3228	4815	1668	3147	4885	1657	3228	4885	1738	3147

F300 with Flexfill							
Cone		Ultramid			Steel/support ring		
M	LC	L1	L2	L3	L1	L2	L3
3	2426	2730	1394	1336	2730	1412	1318
4	2733	3037	1430	1607	3037	1457	1580
5	3040	3344	1466	1878	3344	1502	1842
6	3347	3651	1502	2149	3651	1547	2104
7	3654	3958	1538	2420	3958	1592	2366
8	3961	4265	1574	2691	4265	1637	2628
9	4268	4572	1610	2962	4572	1682	2890
10	4575	4879	1646	3233	4879	1727	3152



LC measure to be used when the loading chute is fitted with FlexClose or FlexFill.