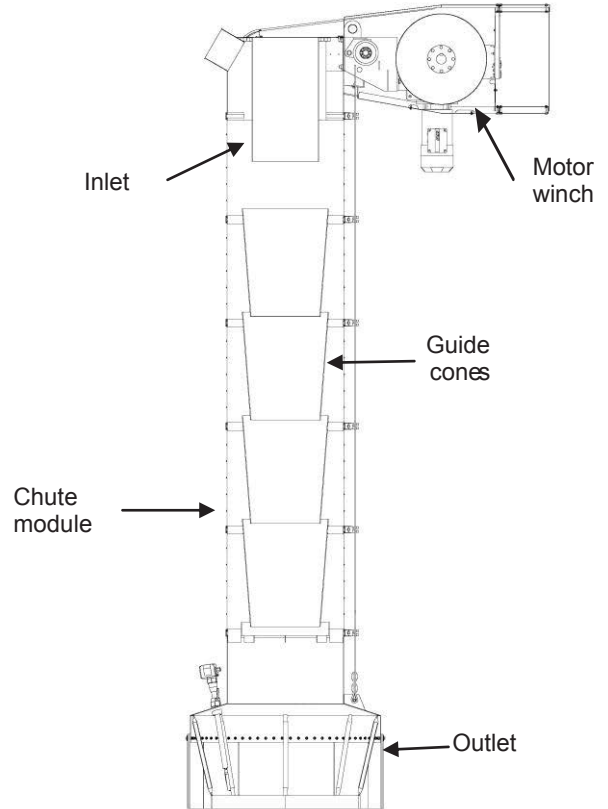
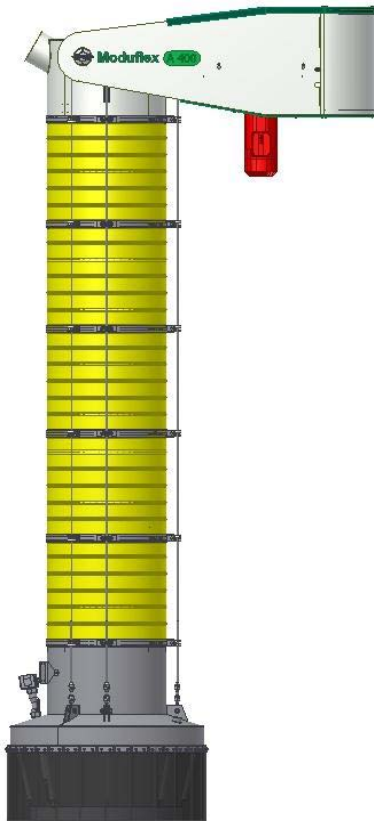


# MODUFLEX LOADING CHUTE A400



Technical Information – A400	
<b>Inlet</b>	Cylindrical inlet in 3 mm steel. With DN400 connection with flange. 1 off exhaust connections Ø200
<b>Chute modules</b>	Type Y - Standard: Yellow. PVC/Polyester. Ø=700mm/H=625mm. Temperature -35°C - +70°C. Type B - Heavy Duty: Black. Synthetic rubber. Ø=700mm/H=625mm. Temperature -40°C - +130°C. Type R - High temperature: Red. Polyester and fiber/silicone rubber. Ø700/H625mm. Temp. -40°C - +150°C (peak +220°C). Type Z - Low temperature: Green. PVC/PU. Ø700mm/H=625mm. Temperature -60° C - +70° C. Connection ring in stainless steel AISI 304, c/w 3 off wire guides in nylon and fittings for relief wires.
<b>Cones</b>	Type J - Steel Standard. Steel, H=300mm, pt=2/4mm. Type L - Steel Overlapping. Steel, H=650mm, pt=2/4mm.
<b>Outlet</b>	Type F – Flat outlet with dust skirt for open loading. Type T for closed loading.
<b>Motor Winch</b>	Motor 2.2 - 4 kW, Gear box ratio 124-127:1, 1425-1460rpm. Tight wire indication on 1 hoisting wire and slack wire indication on 3 hoisting wires. External 3-point wire hoist system with high precision ball bearings and 3 off winch discs vertically fitted. 2 off relief wires. Hoist/relief wires Ø8mm available in steel or stainless steel Aisi316.
<b>General info</b>	Max. loading capacity approx. 440 m³/hour. Recommended connecting value for aspiration 2200m³/hour 100 Pa. Metal parts available in steel st. 37, stainless steel AISI 304 or Hardox 400. Other steel qualities on demand. Surface treatment st. 37/Hardox 400: Iron phosphating, 80 micron coating RAL 9010 pure white. Surface treatment AISI 304: Acid-washed without any further treatment. Optional: Hot dip galvanized inlet/outlet. Available with full approval and certificates for location in ATEX zone 22 (zone 20 inside the chute)

# MODUFLEX LOADING CHUTE A400

A400			
	Outlet type F		
Cone	Steel		
M	L1	L2	L3
1	2162	1627	535
2	2787	1717	1070
3	3412	1807	1605
4	4037	1897	2140
5	4662	1987	2675
6	5287	2077	3210
7	5912	2167	3745
8	6537	2257	4280
9	7162	2347	4815
10	7787	2437	5350
11	8412	2527	5885
12	9037	2617	6420
13	9662	2707	6955
14	10287	2797	7490
15	10912	2887	8025
16	11537	2977	8560
17	12162	3067	9095
18	12787	3157	9630
19	13412	3247	10165
20	14037	3337	10700
21	14662	3427	11235
22	15287	3517	11770
23	15912	3607	12305
24	16537	3697	12840
25	17162	3787	13375
26	17787	3877	13910
27	18412	3967	14445
28	19037	4057	14980
29	19662	4147	15515
30	20287	4237	16050
31	20912	4327	16585
32	21537	4417	17120
33	22162	4507	17655
34	22787	4597	18190
35	23412	4687	18725
36	24037	4777	19260
37	24662	4867	19795
38	25287	4957	20330
39	25912	5047	20865
40	26537	5137	21400

